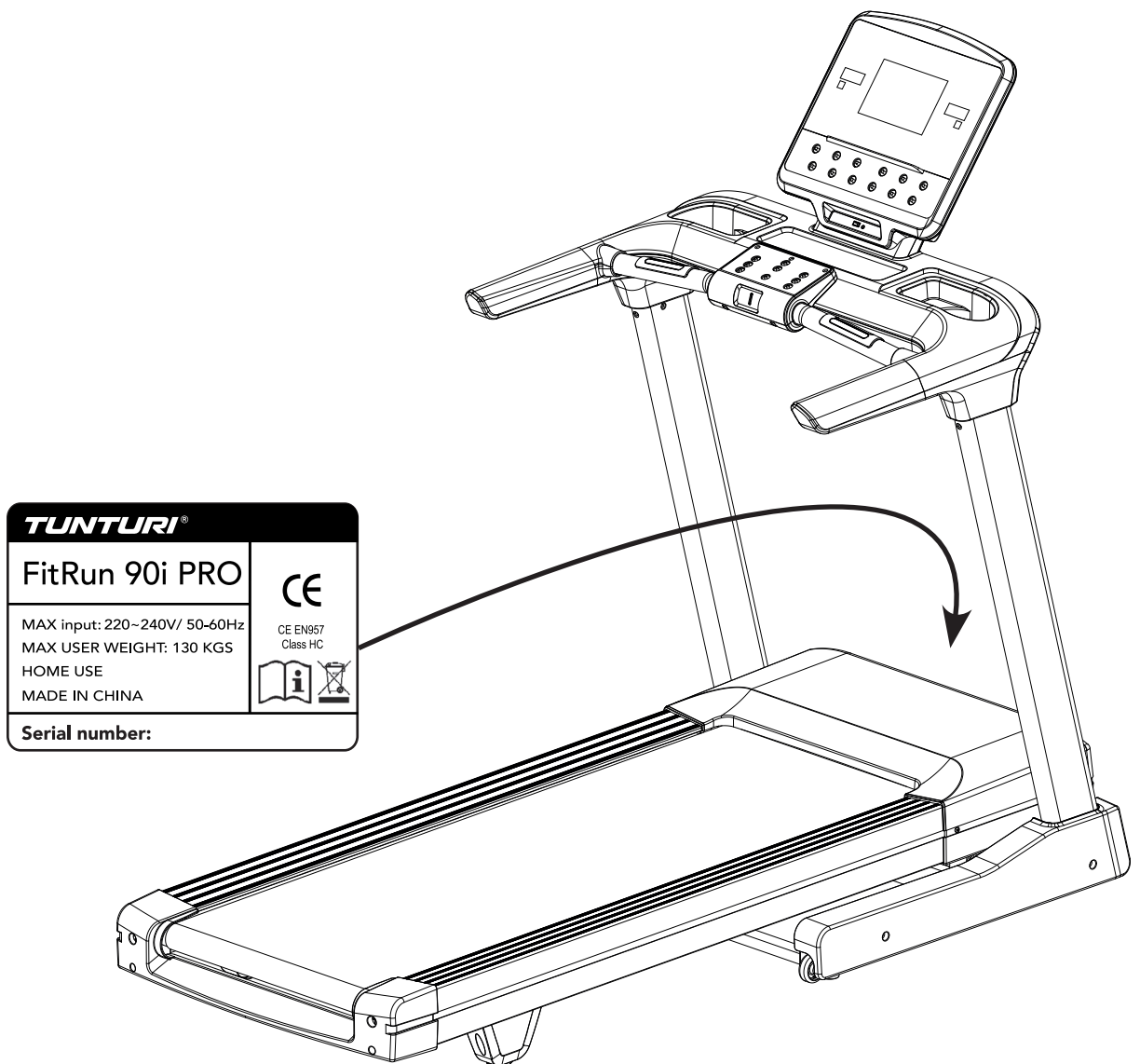


# TUNTURI®

## FitRun 90i PRO

User manual  
Benutzerhandbuch  
Manuel de l'utilisateur  
Gebruikershandleiding



### Attention, Achtung, Attention, Attentie

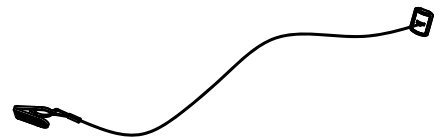
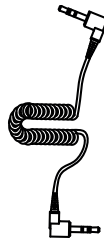
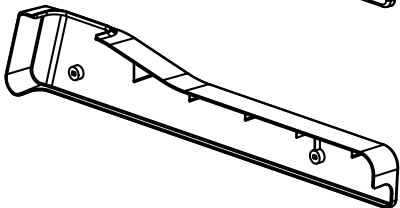
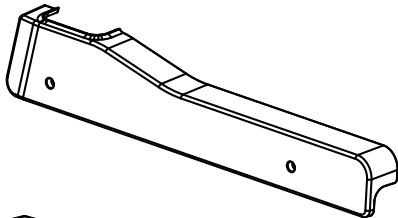
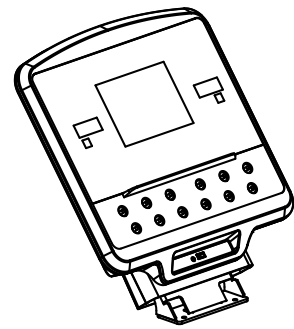
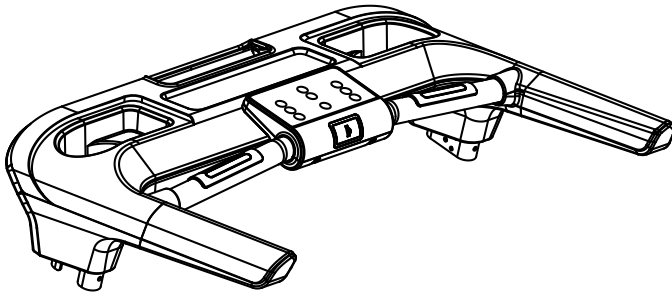
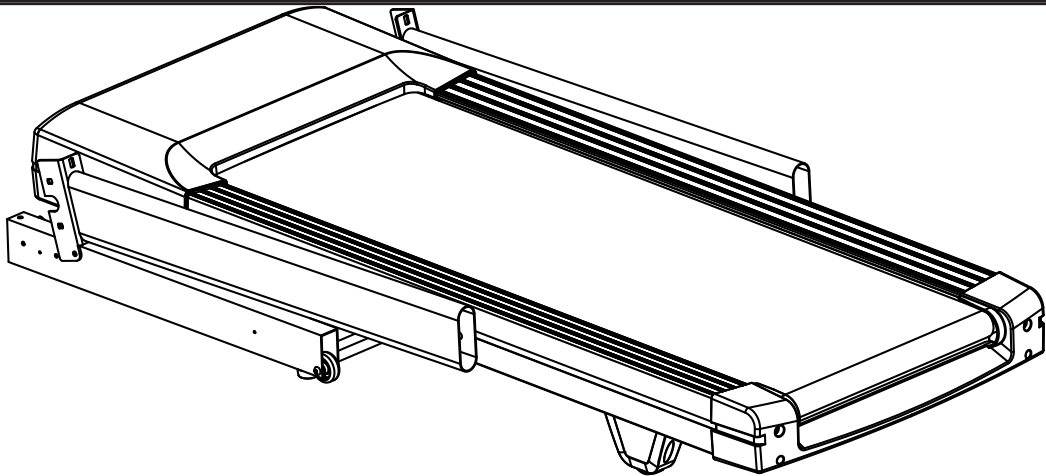
- Please read this Owner's manual before assembling this product.
- Bitte lesen Sie dieses Handbuch durch, bevor Sie mit er Montage dieses Produkts beginnen.
- Veuillez lire ce manuel avant de commencer le montage de ce produit.
- Leest u deze handleiding voordat u dit apparaat installeert.



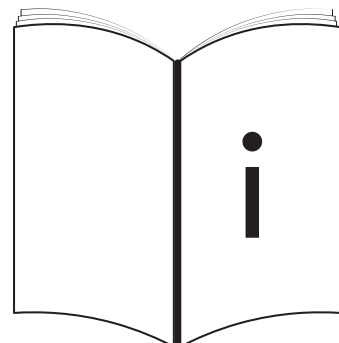
A



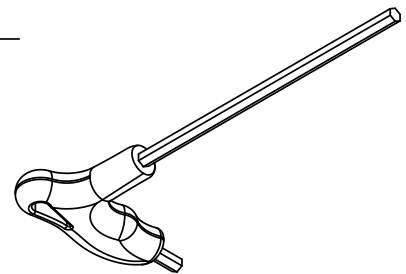
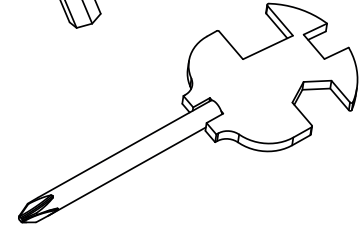
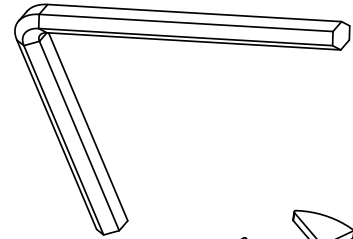
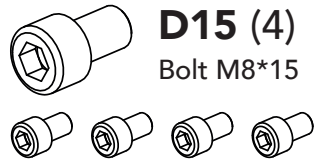
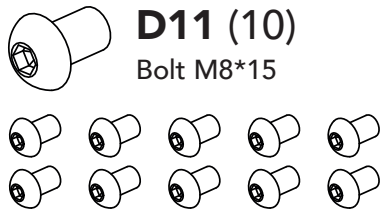
**B**



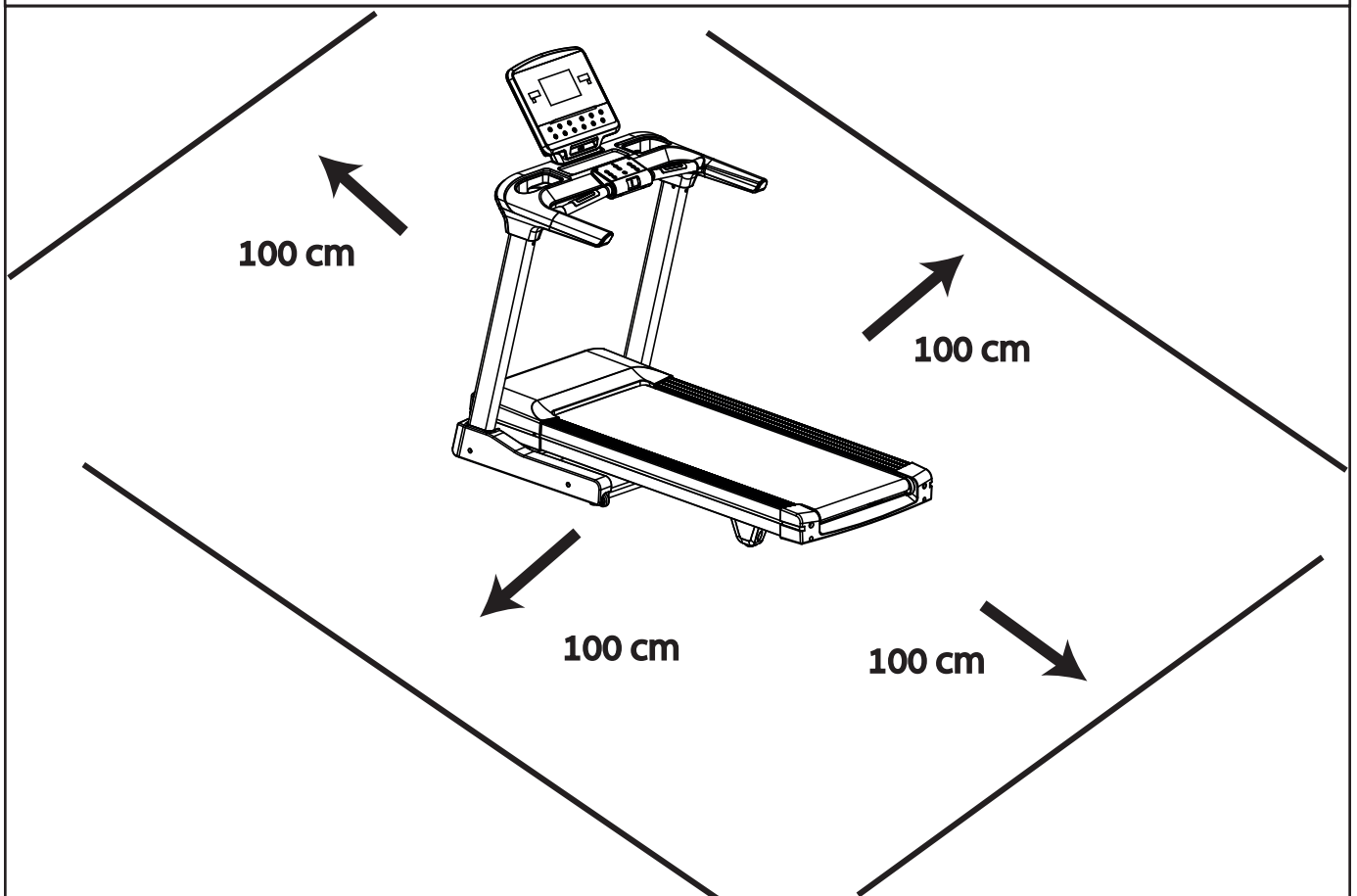
<p><b>D11 (10)</b> Bolt M8*15</p>	<p><b>D15 (4)</b> Bolt M8*15</p>	
<p><b>D18 (4)</b> Bolt M5*16</p>	<p><b>D35 (4)</b> Flat washer M8</p>	
<p><b>D31 (10)</b> Lock washer M8</p>	<p><b>D32 (4)</b> Spring washer M8</p>	



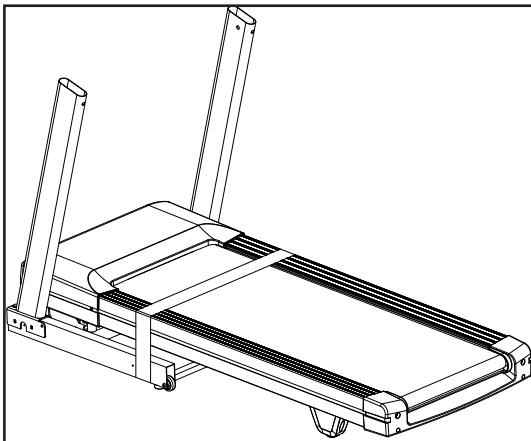
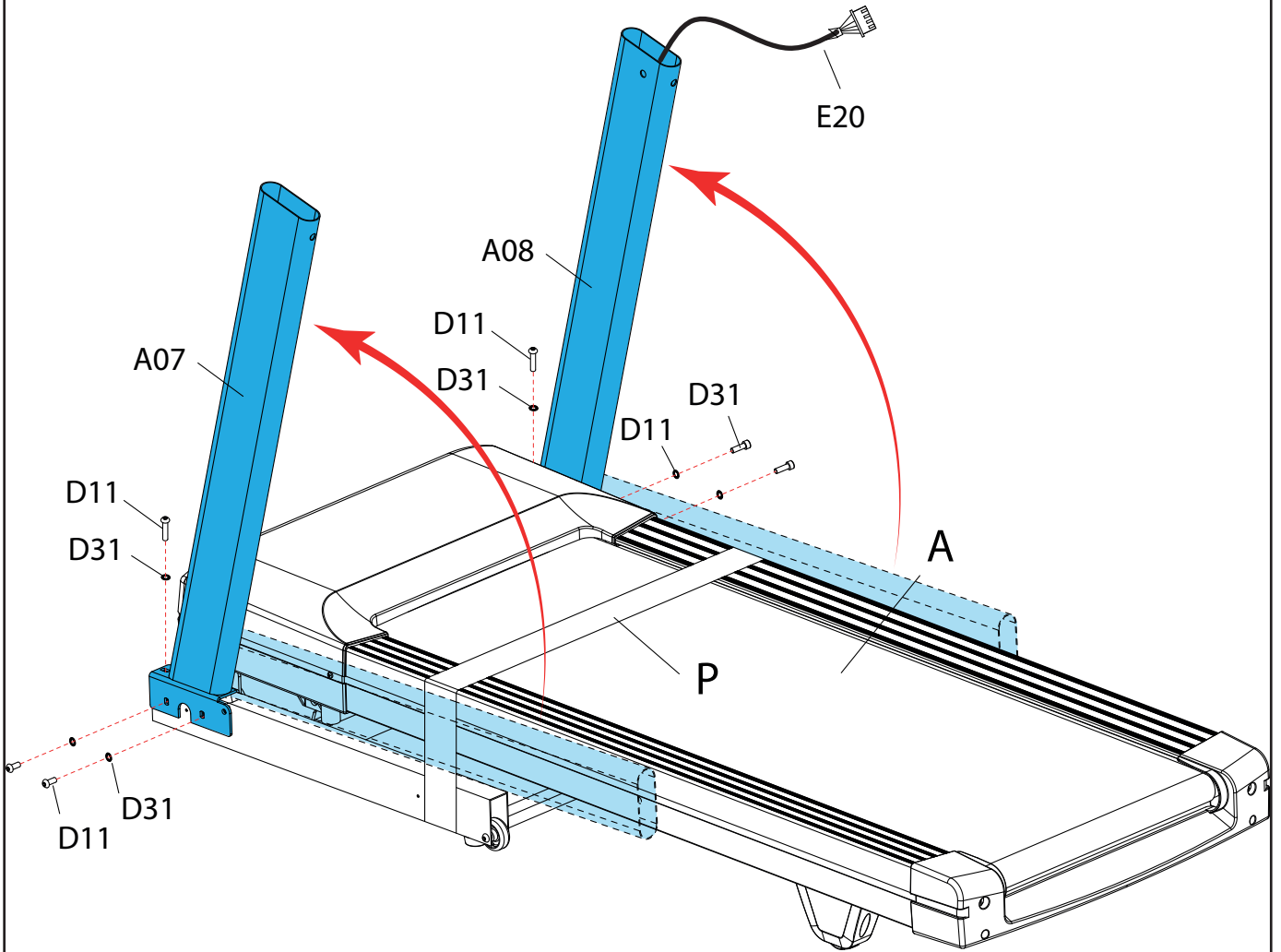
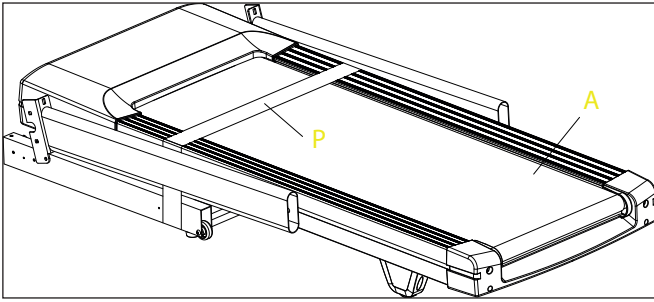
## C



## D-0

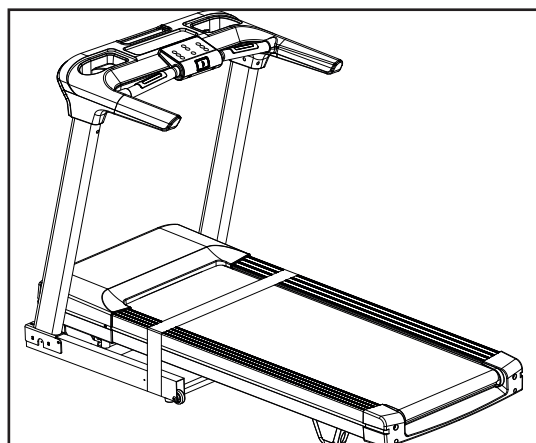
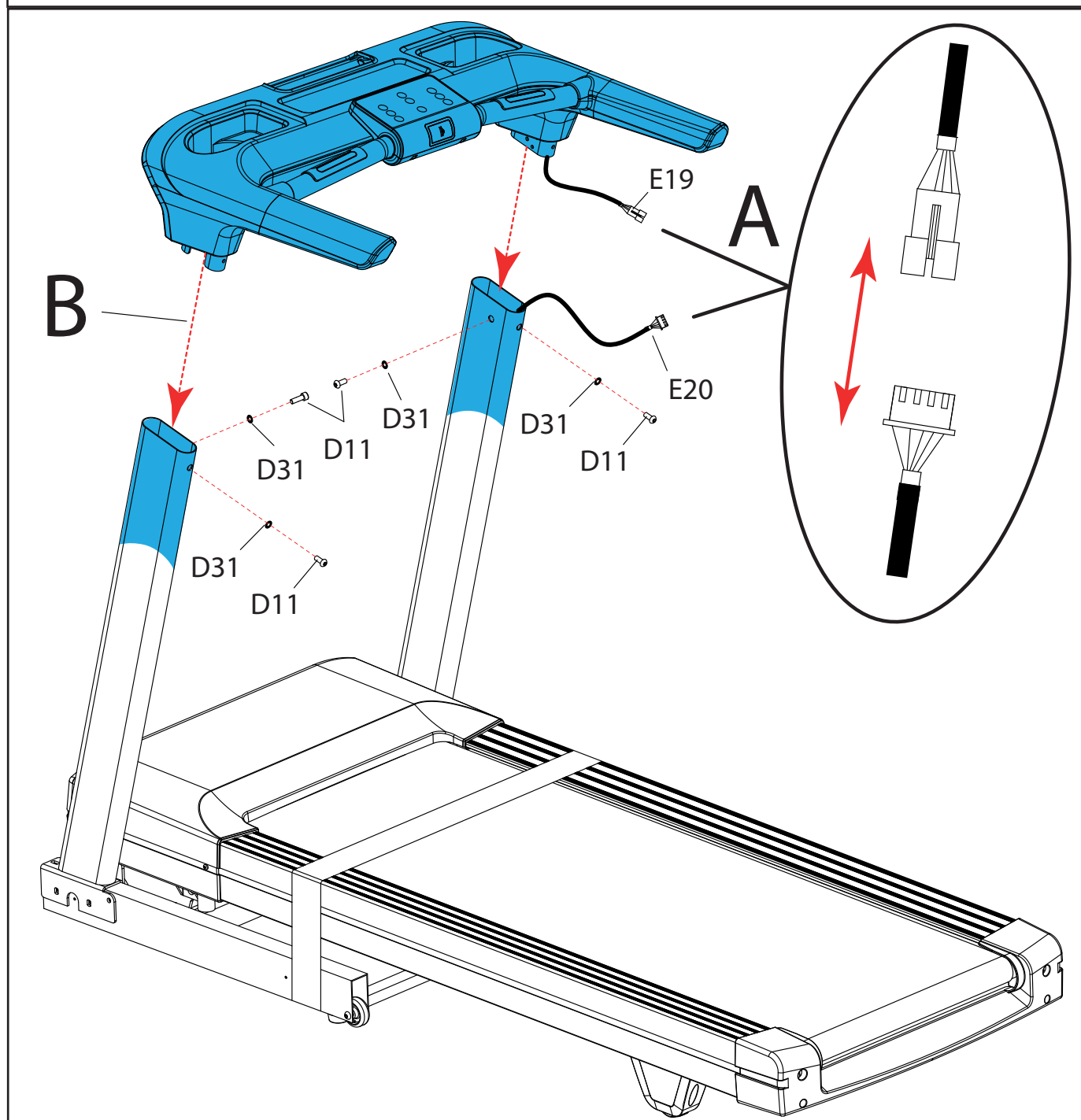


# D-1



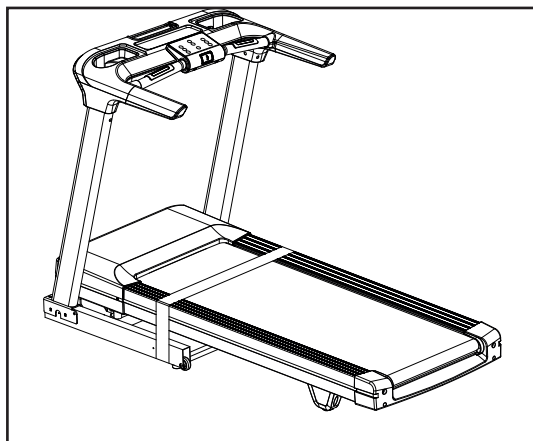
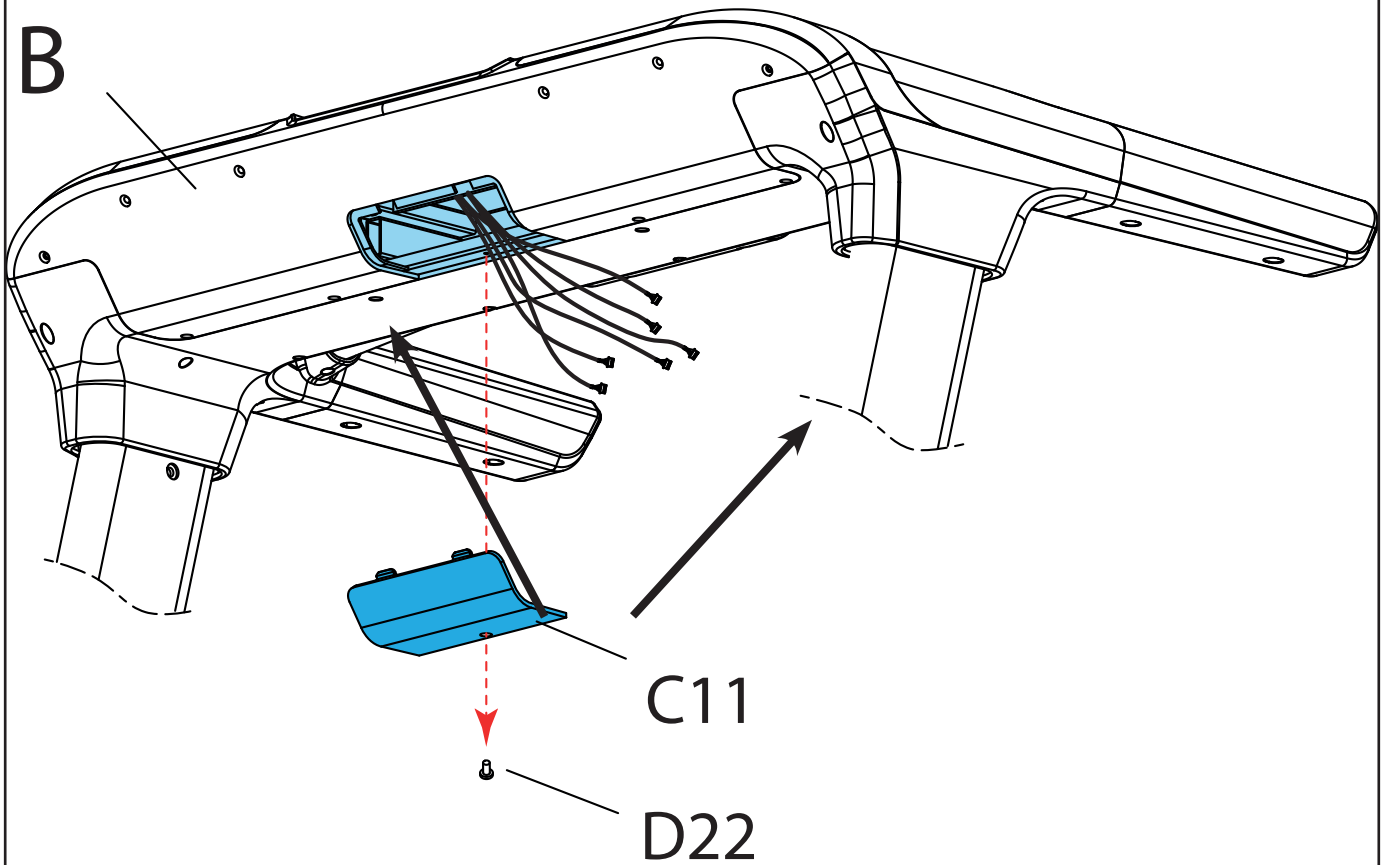
<p><b>D11 (10)</b> Bolt M8*15</p>	<p><b>D15 (4)</b> Bolt M8*15</p>	
<p><b>D18 (4)</b> Bolt M5*16</p>	<p><b>D35 (4)</b> Flat washer M8</p>	
<p><b>D31 (10)</b> Lock washer M8</p>	<p><b>D32 (4)</b> Spring washer M8</p>	


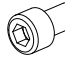

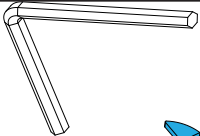
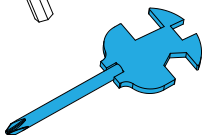
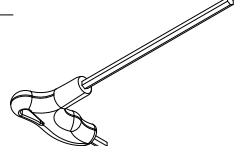







# D-2



<p><b>D11 (10)</b> Bolt M8*15</p>	<p><b>D15 (4)</b> Bolt M8*15</p>	
<p><b>D18 (4)</b> Bolt M5*16</p>	<p><b>D35 (4)</b> Flat washer M8</p>	
<p><b>D31 (10)</b> Lock washer M8</p>	<p><b>D32 (4)</b> Spring washer M8</p>	

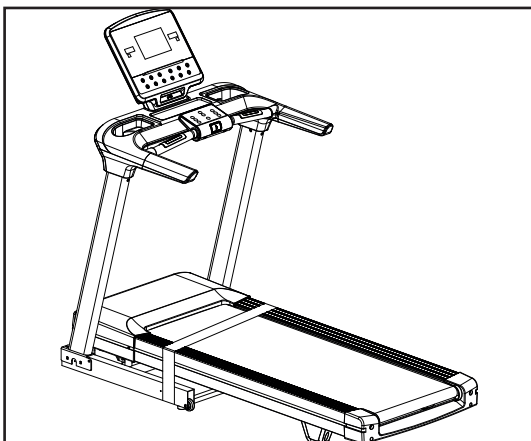
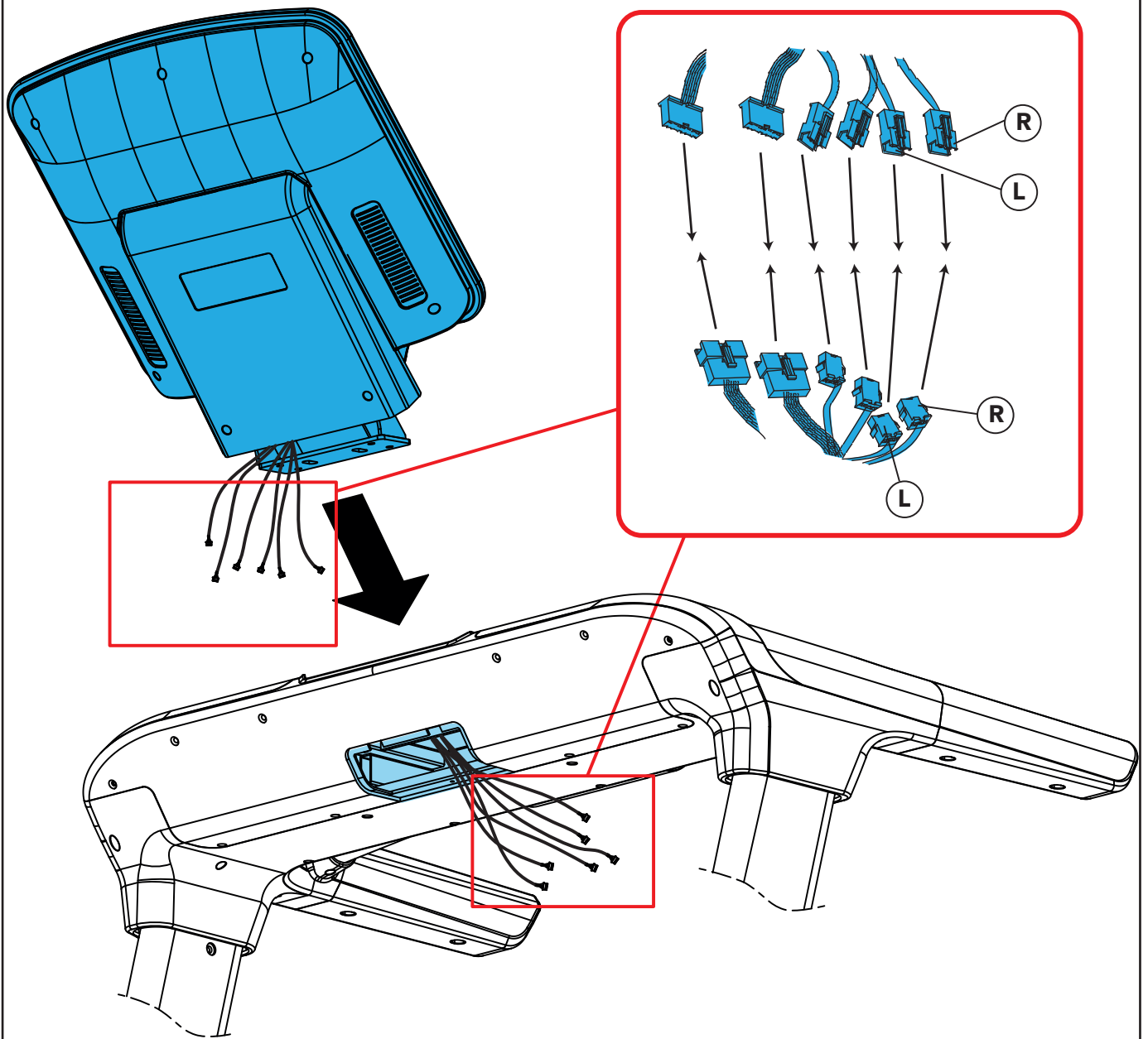
# D-3A



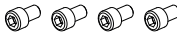
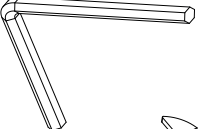




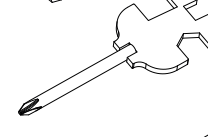



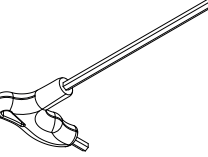


 <p><b>D11 (10)</b> Bolt M8*15</p>	 <p><b>D15 (4)</b> Bolt M8*15</p> 	  
 <p><b>D18 (4)</b> Bolt M5*16</p> 	 <p><b>D35 (4)</b> Flat washer M8</p> 	
 <p><b>D31 (10)</b> Lock washer M8</p>	 <p><b>D32 (4)</b> Spring washer M8</p> 	

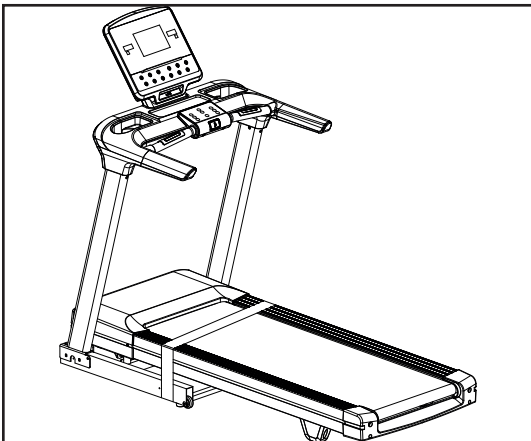
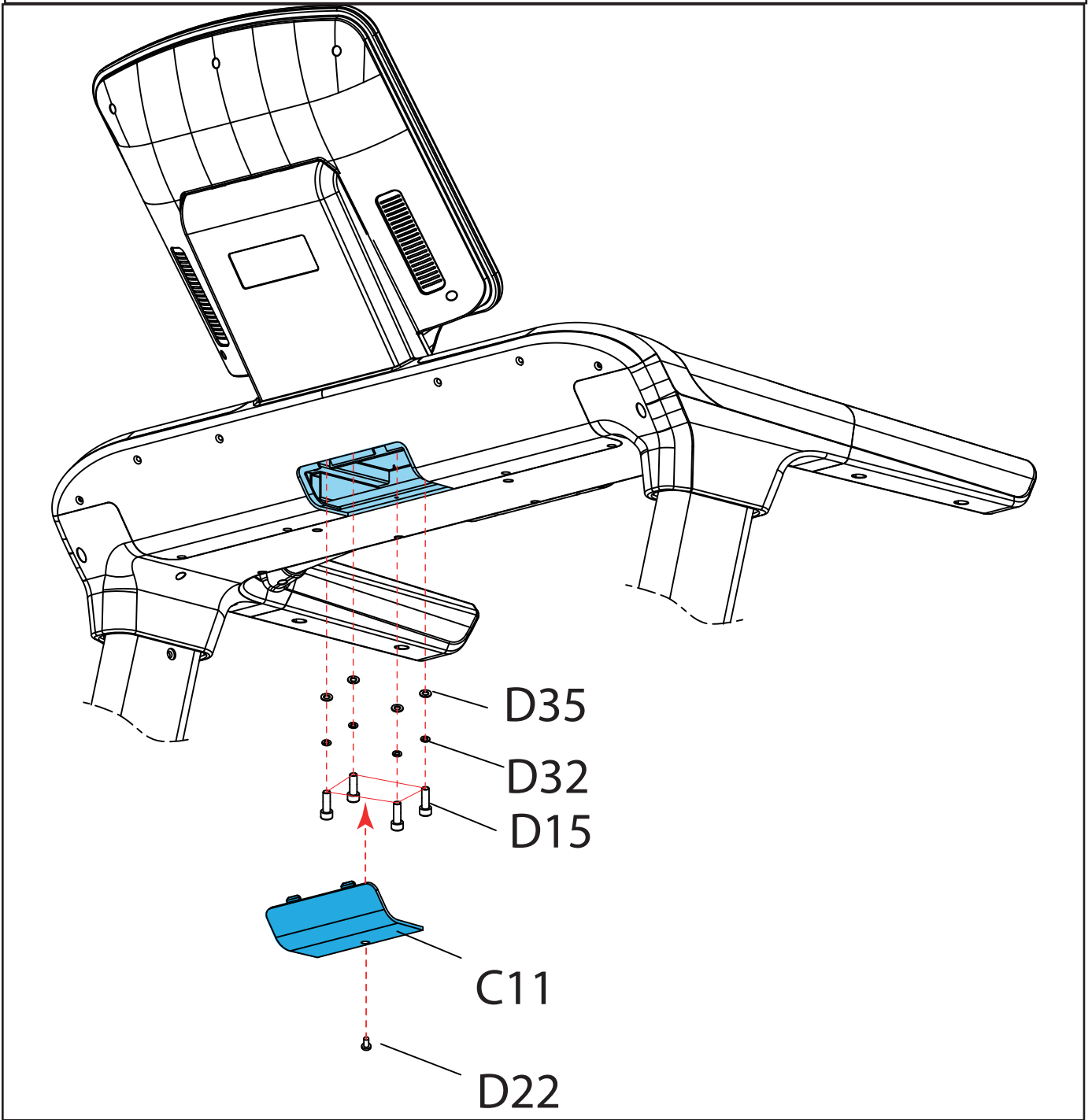




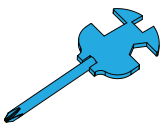


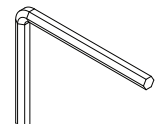
# D-3B



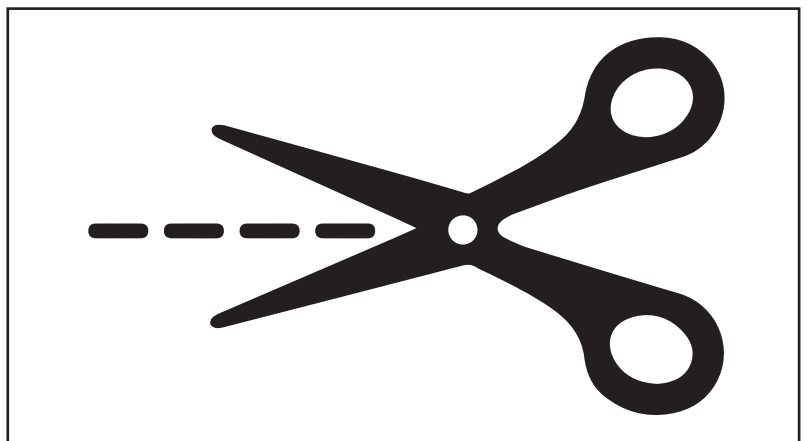
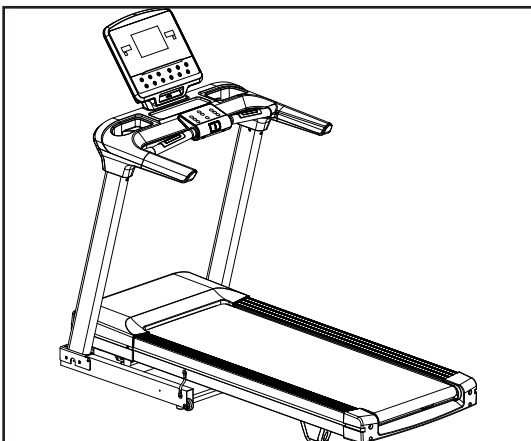
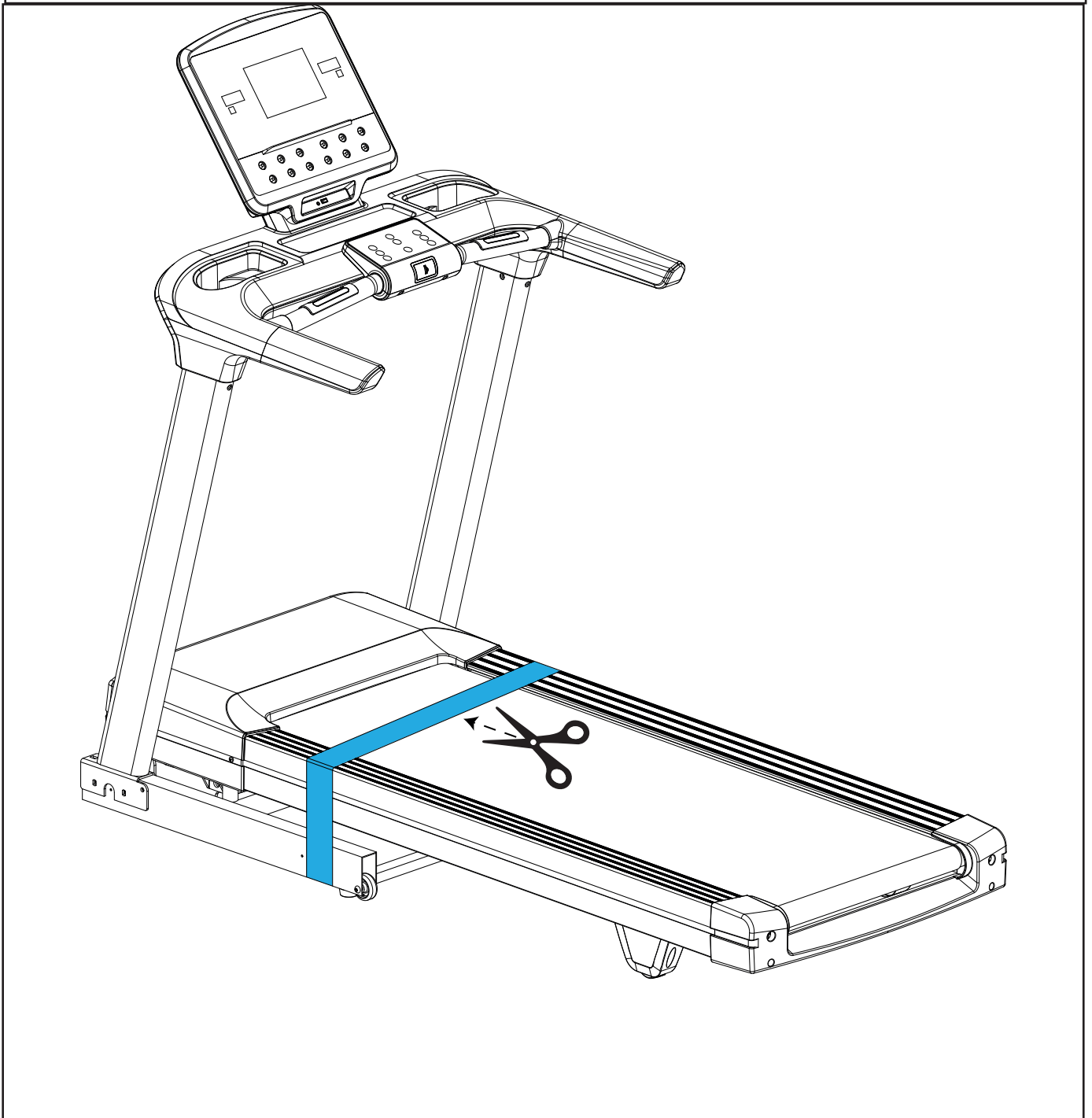
 <p><b>D11 (10)</b> Bolt M8*15</p>	 <p><b>D15 (4)</b> Bolt M8*15</p> 	
 <p><b>D18 (4)</b> Bolt M5*16</p> 	 <p><b>D35 (4)</b> Flat washer M8</p> 	
 <p><b>D31 (10)</b> Lock washer M8</p>	 <p><b>D32 (4)</b> Spring washer M8</p> 	

# D-3C

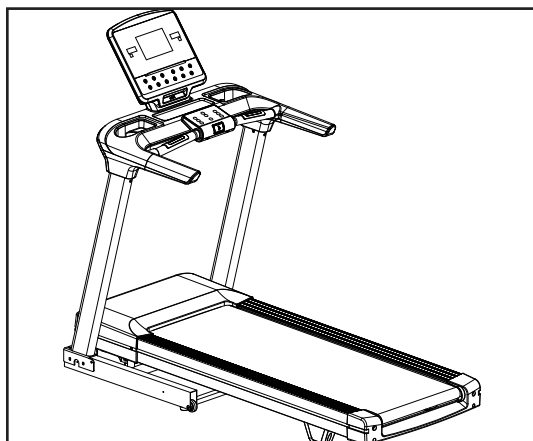
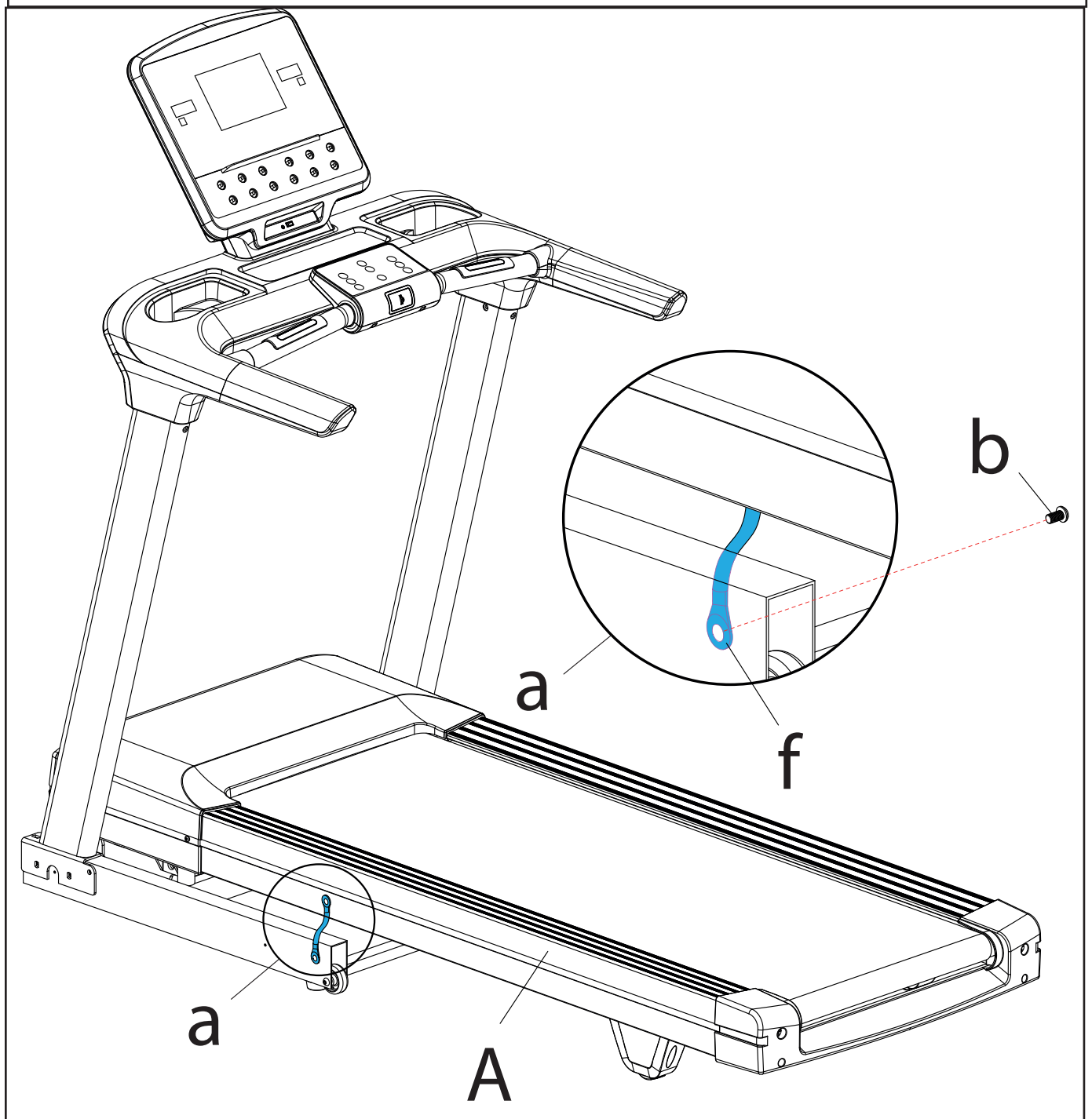




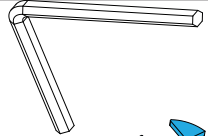
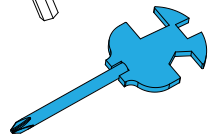
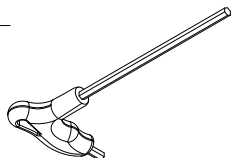





<p><b>E13</b>  Bolt (10x) M8x15</p>	<p><b>E22</b>  Bolt (6x) M5x15</p>	<p><b>B08</b> Cross solid wrench.</p> 
<p><b>E32</b>  Lock Washer (10x) Ø8</p>	<p><b>E39</b>  Flat washer (4x) Ø5*Ø13*1.0</p>	<p><b>B09</b> Allen wrench 5#</p> 

# D-4A

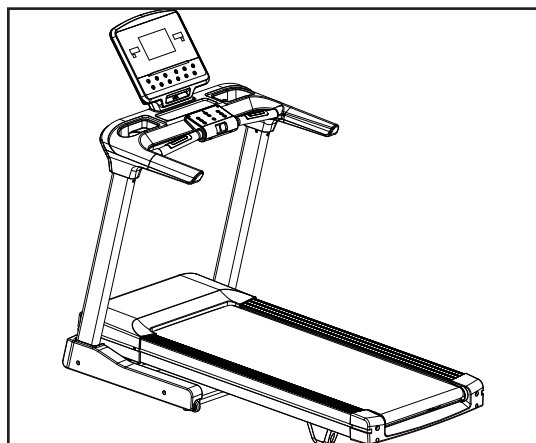
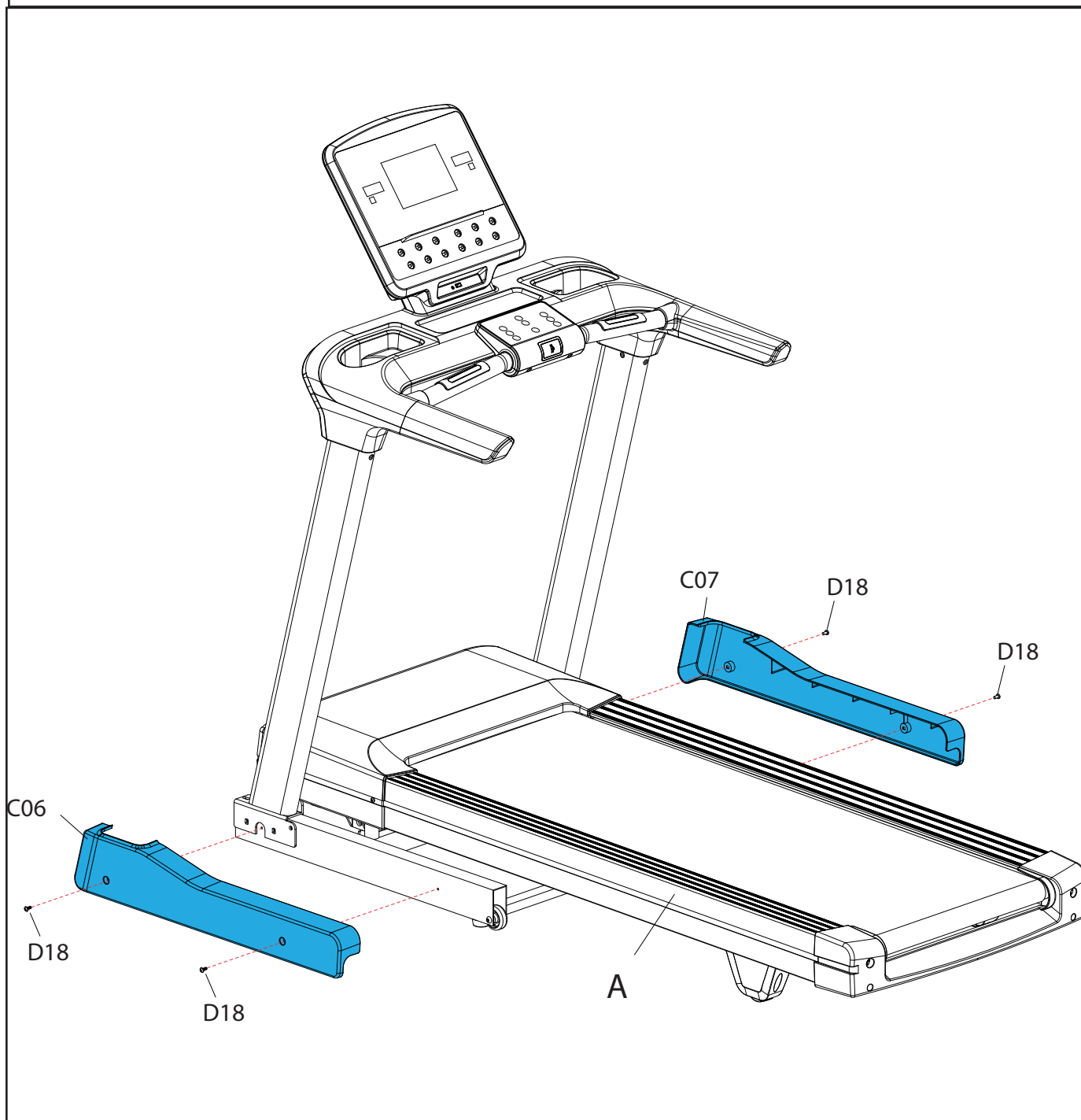




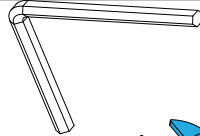
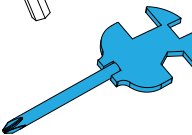
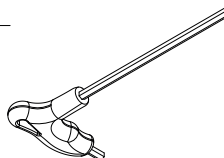




# D-4B



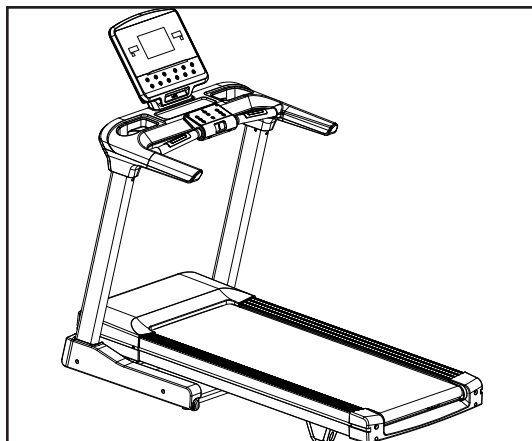
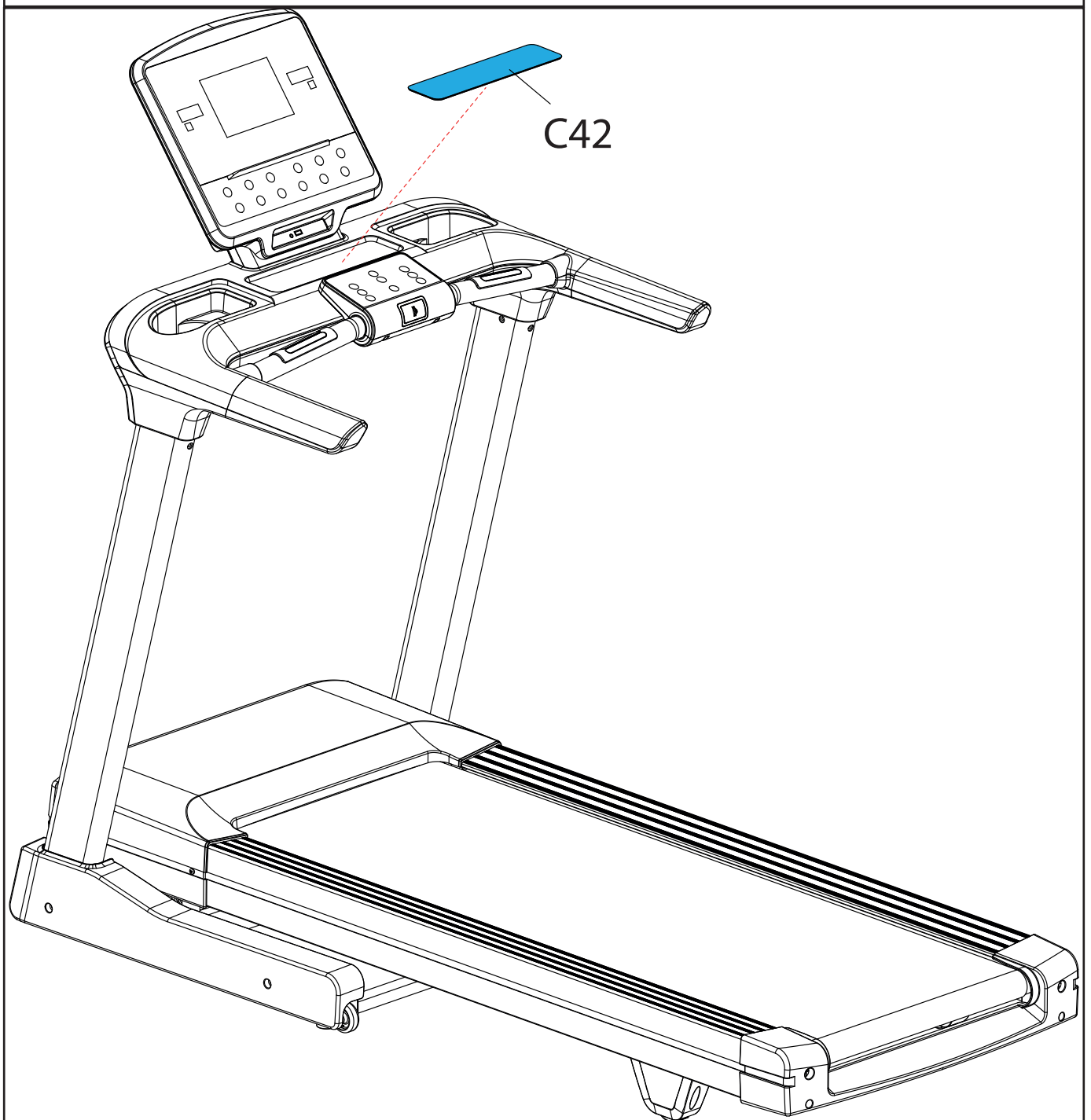
 <p><b>D11 (10)</b> Bolt M8*15</p>	 <p><b>D15 (4)</b> Bolt M8*15</p>	  
 <p><b>D18 (4)</b> Bolt M5*16</p> 	 <p><b>D35 (4)</b> Flat washer M8</p>	
 <p><b>D31 (10)</b> Lock washer M8</p>	 <p><b>D32 (4)</b> Spring washer M8</p>	



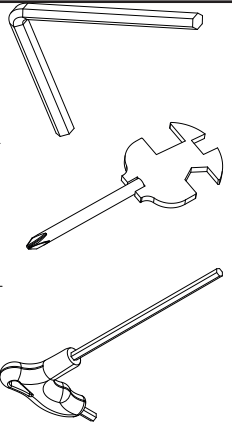




# D-5



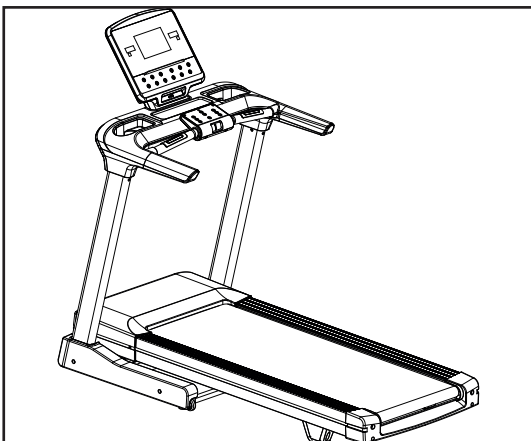
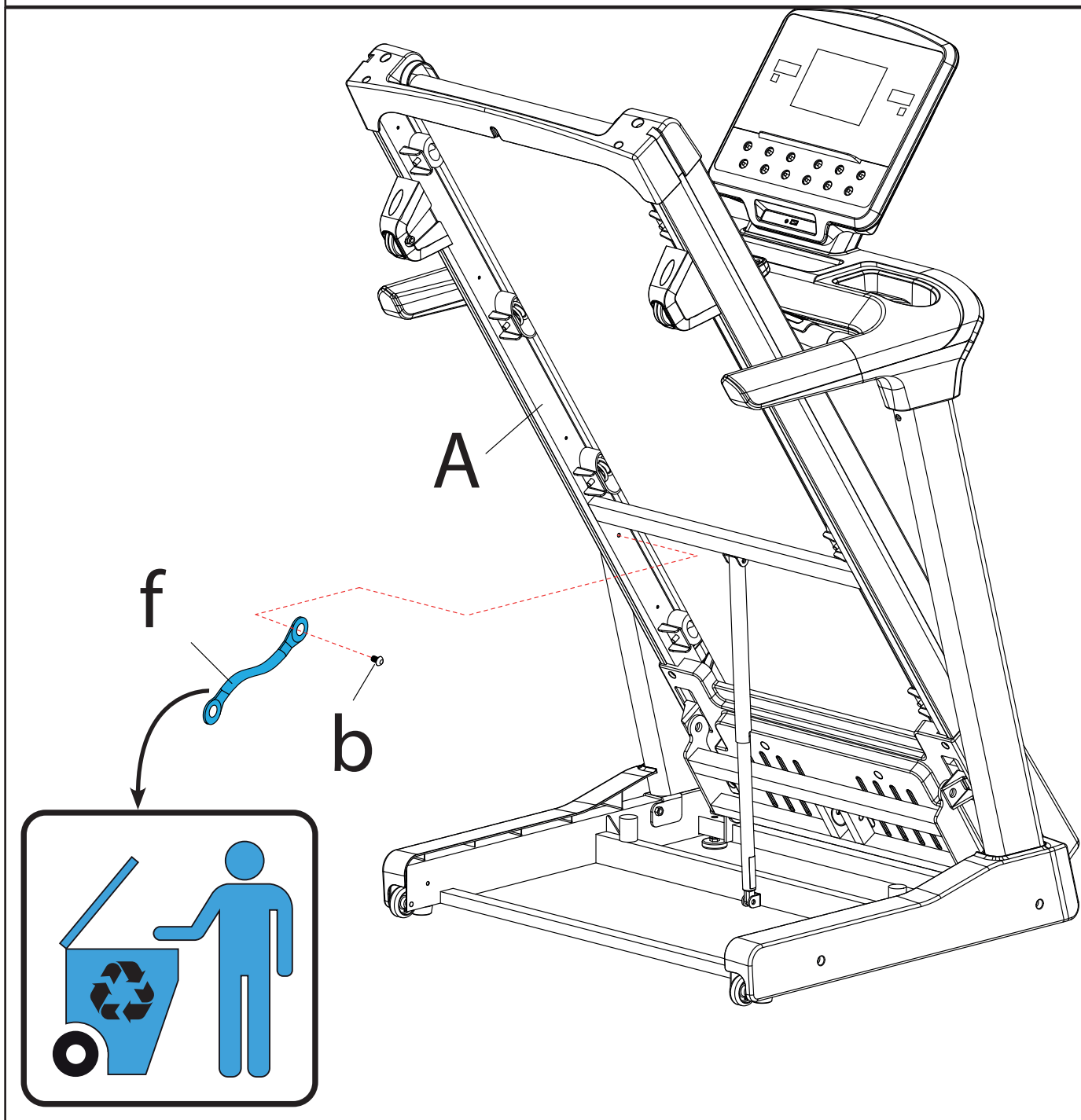
 <b>D11 (10)</b> Bolt M8*15	 <b>D15 (4)</b> Bolt M8*15	  
 <b>D18 (4)</b> Bolt M5*16	 <b>D35 (4)</b> Flat washer M8	
 <b>D31 (10)</b> Lock washer M8	 <b>D32 (4)</b> Spring washer M8	



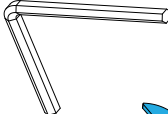
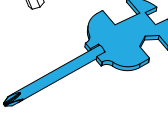
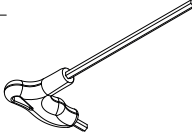




# D-6A



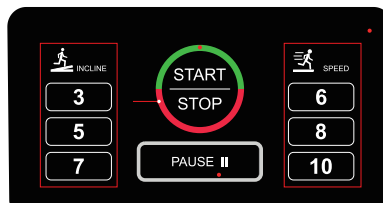
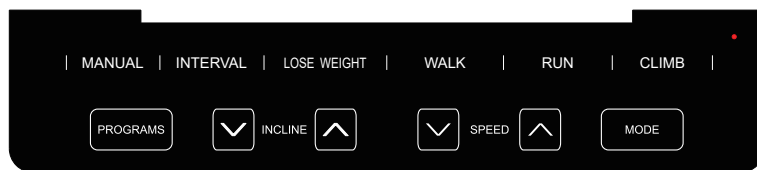
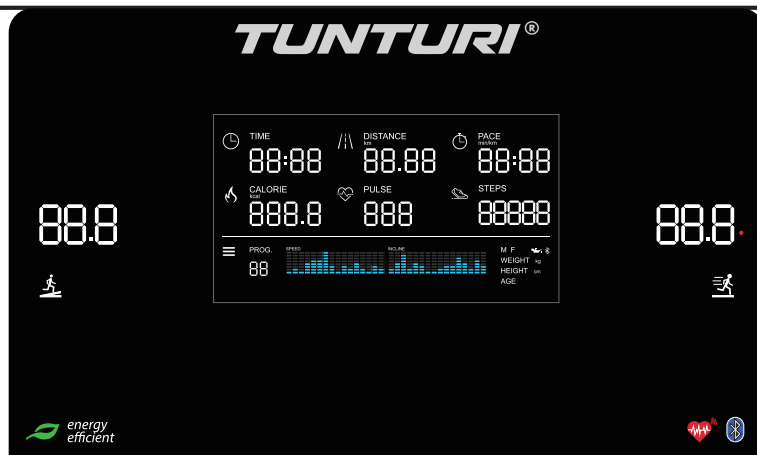
 <p><b>D11 (10)</b> Bolt M8*15</p>	 <p><b>D15 (4)</b> Bolt M8*15</p>	
 <p><b>D18 (4)</b> Bolt M5*16</p>	 <p><b>D35 (4)</b> Flat washer M8</p>	
 <p><b>D31 (10)</b> Lock washer M8</p>	 <p><b>D32 (4)</b> Spring washer M8</p>	

# D-6B

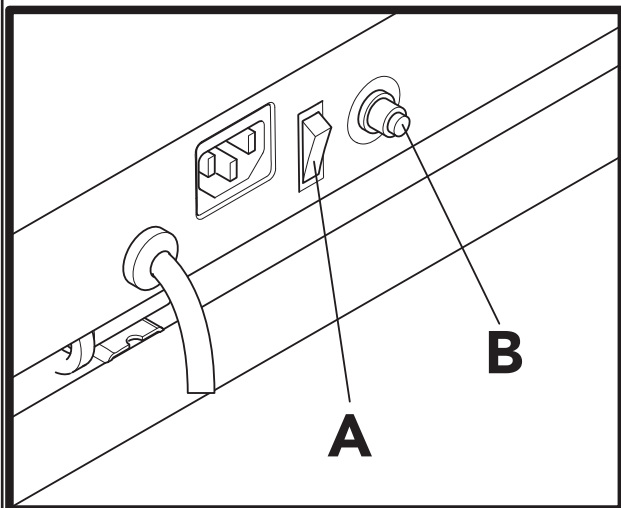


 <b>D11</b> (10) Bolt M8*15	 <b>D15</b> (4) Bolt M8*15	  
 <b>D18</b> (4) Bolt M5*16	 <b>D35</b> (4) Flat washer M8	
 <b>D31</b> (10) Lock washer M8	 <b>D32</b> (4) Spring washer M8	

# E-1

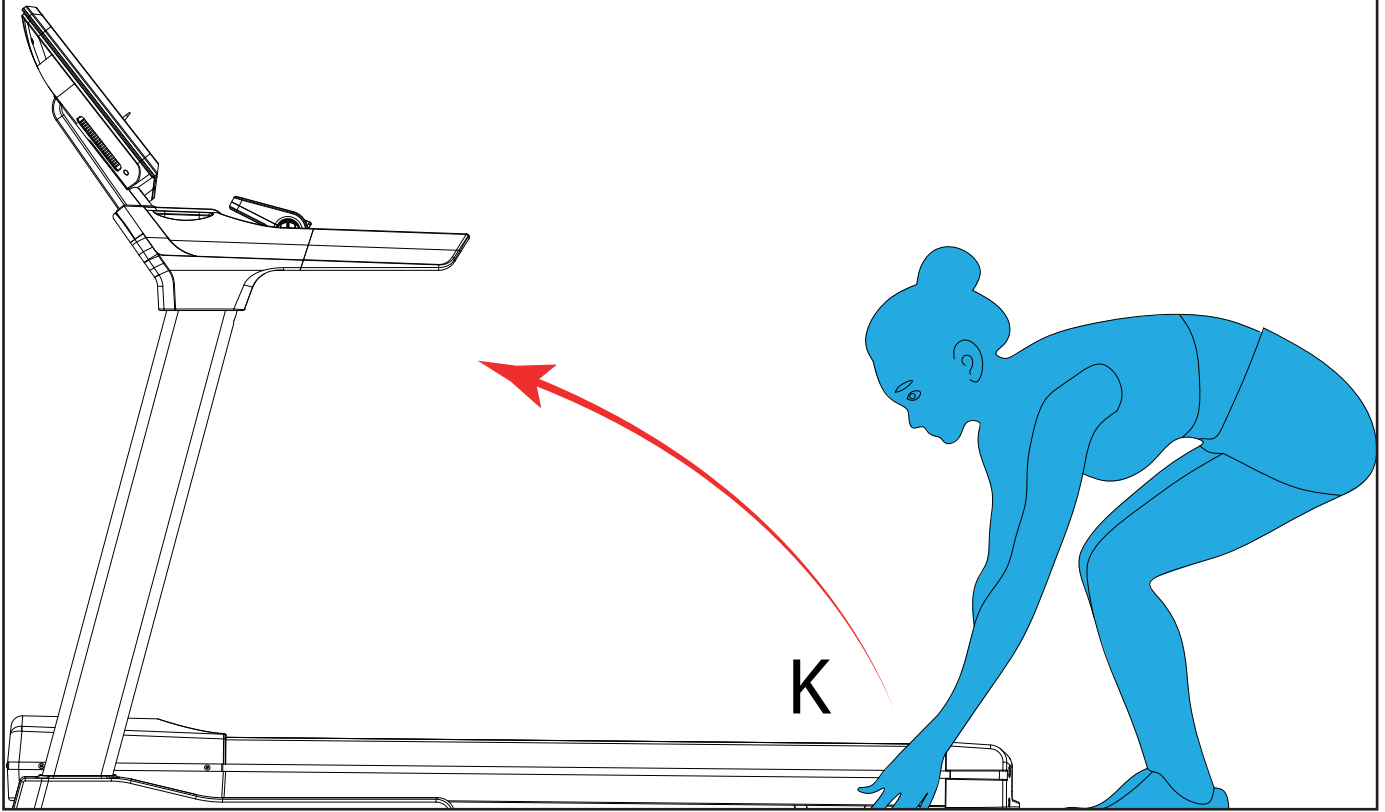


# E-2

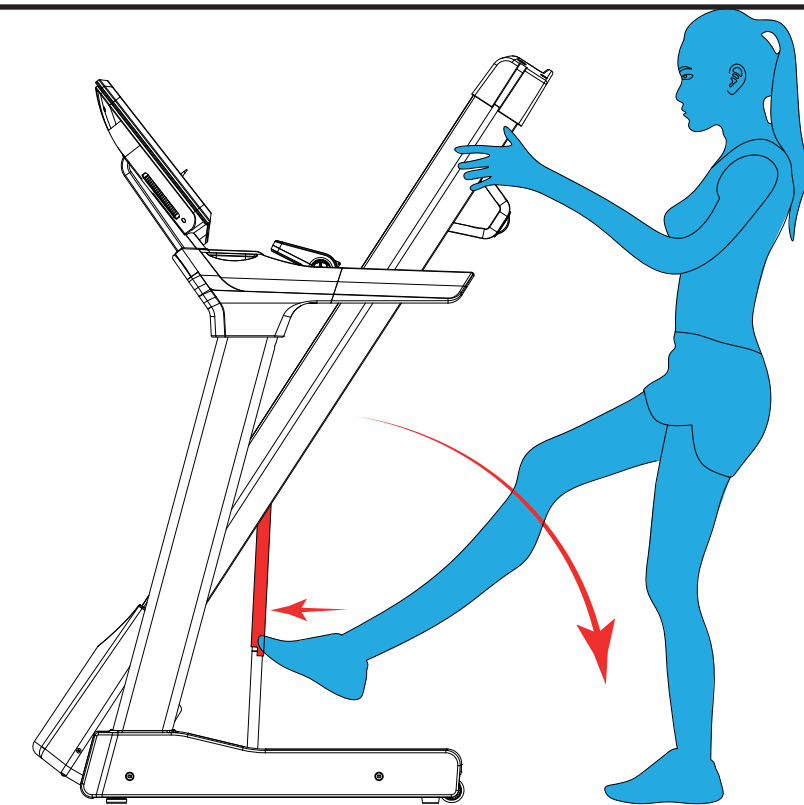




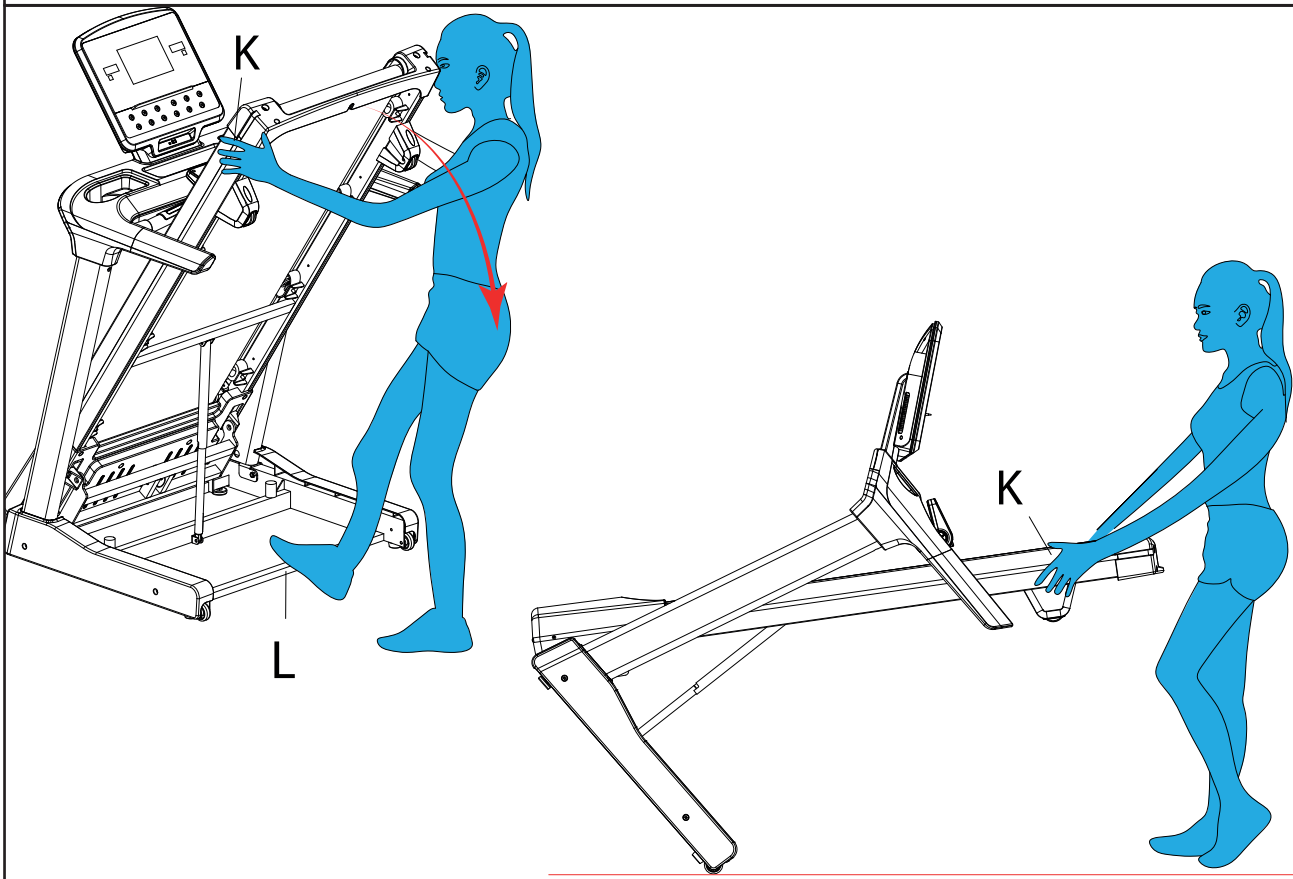
**F-1**



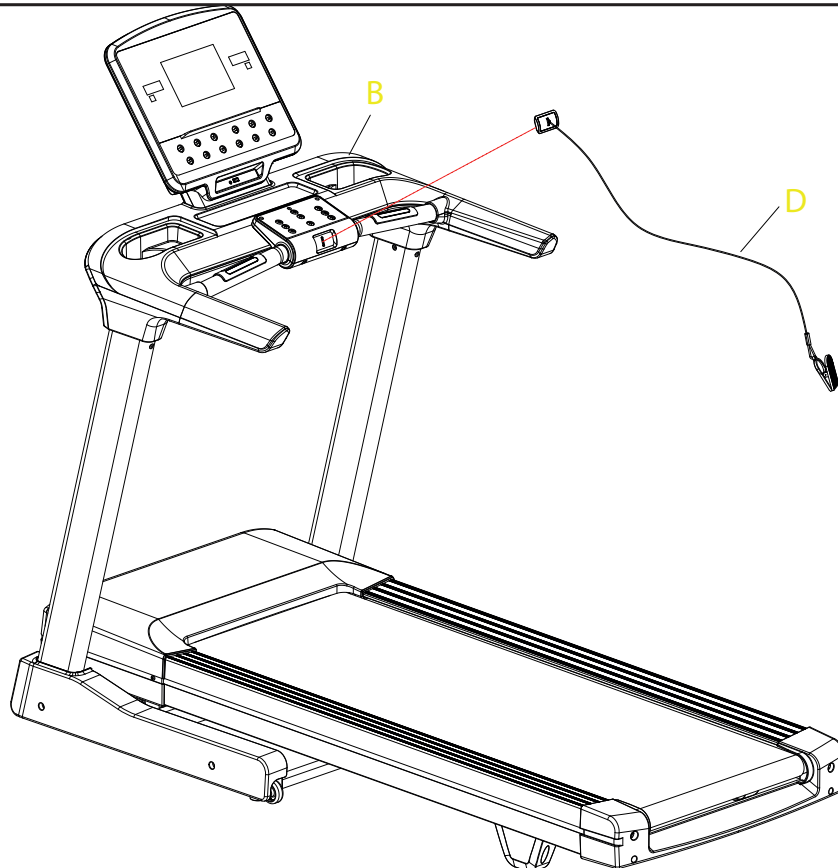
**F-2**



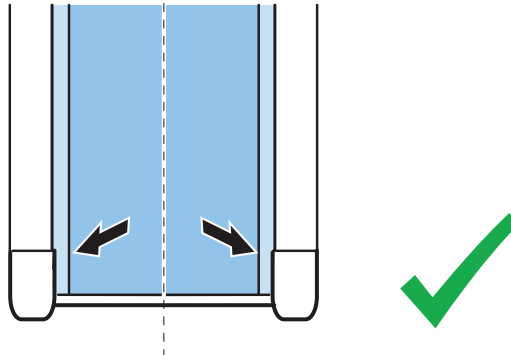
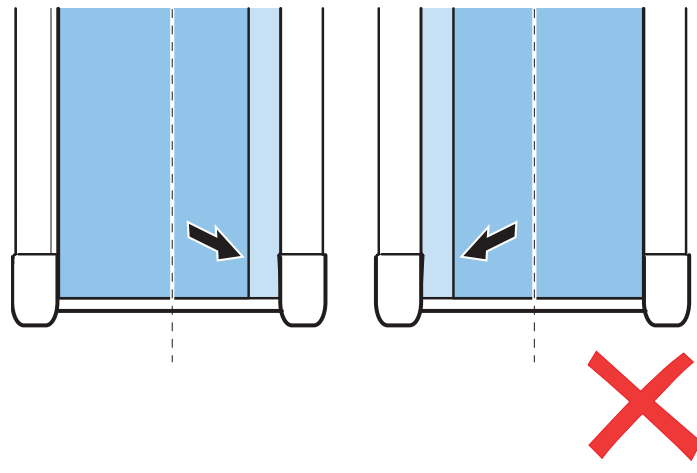
### F-3



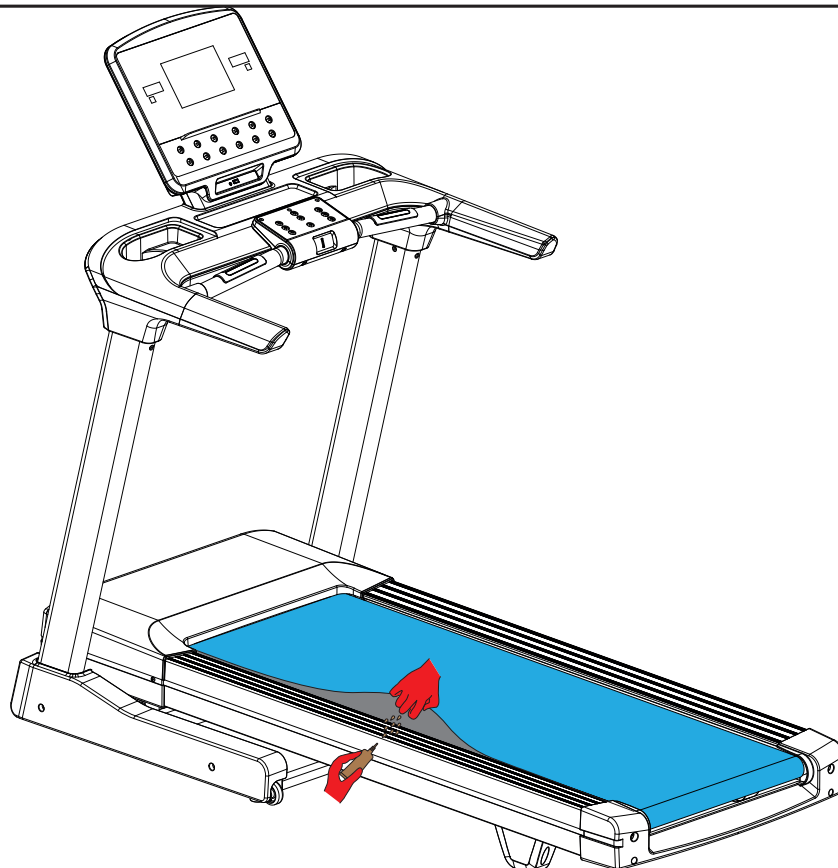
### F-4



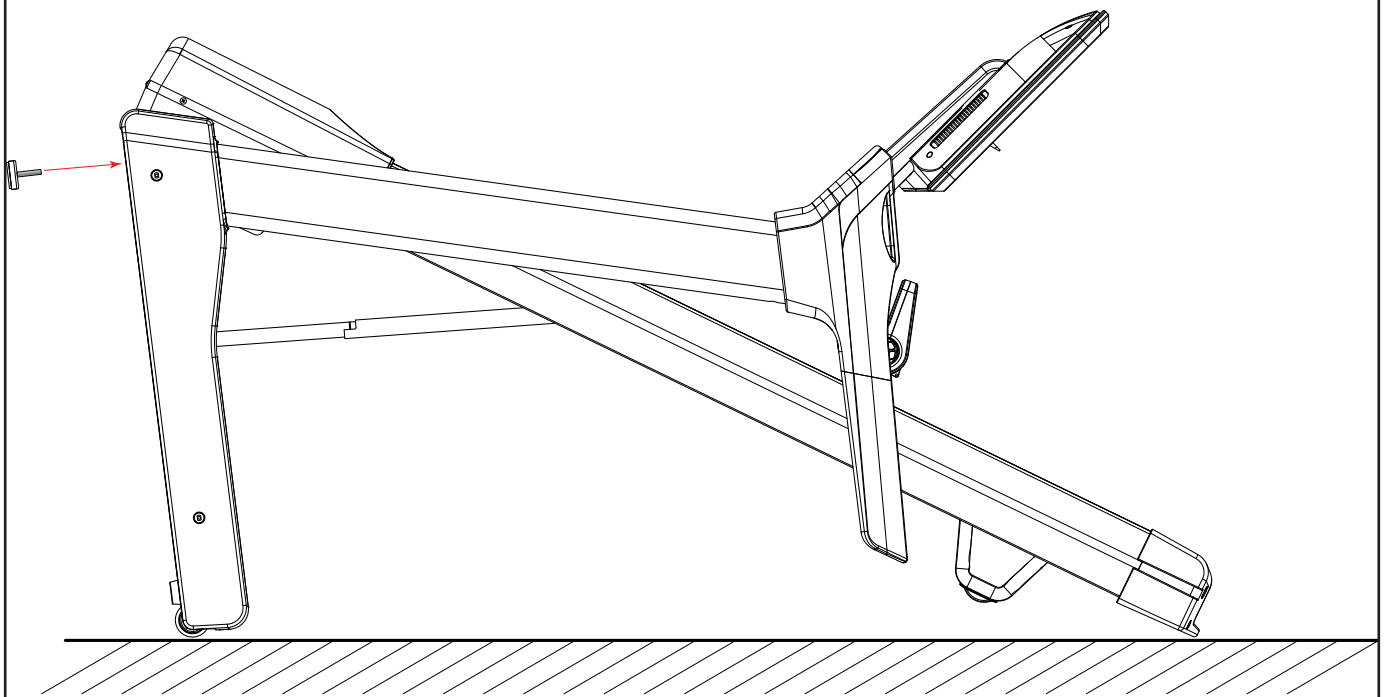
# F-5



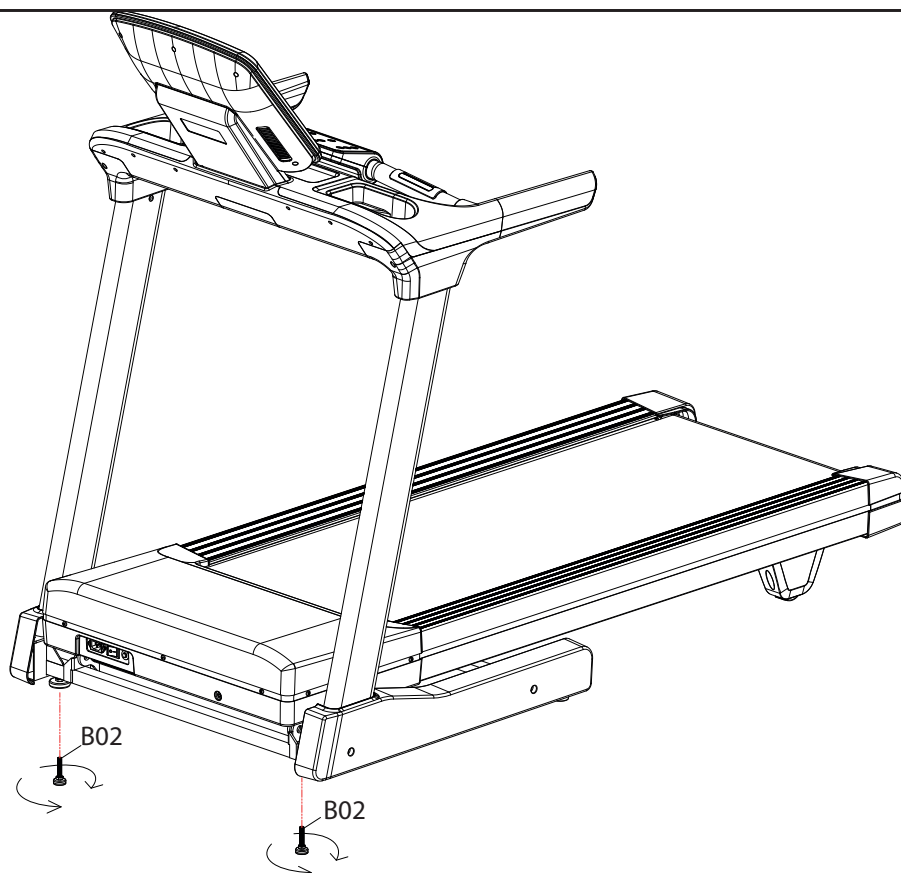
# F-6



# F-7A



# F-7B



## G

Program	Stage	1	2	3	4	5	6	7	8	9	10	11	12	13	14	15	16
P1 Manual	Speed	5	5	5	5	5	5	5	5	5	5	5	5	5	5	5	5
	Incline	2	2	2	2	2	2	2	2	2	2	2	2	2	2	2	2
P2 Interval	Speed	5	10	10	5	5	10	10	5	5	10	10	5	5	10	10	5
	Incline	2	2	4	4	6	6	6	6	4	4	4	4	4	2	2	2
P3 Lose weight	Speed	5	5	8	8	5	5	5	8	8	5	5	5	8	8	5	5
	Incline	2	2	4	4	4	4	4	4	4	4	4	4	4	2	2	2
P4 Walk	Speed	5	7	7	8	8	7	7	10	10	7	5	5	7	7	10	5
	Incline	2	2	4	4	4	4	4	4	4	4	4	4	4	2	2	2
P5 Run	Speed	5	9	9	11	11	12	5	5	9	9	11	11	12	9	9	5
	Incline	2	2	4	4	4	4	4	4	4	4	4	4	4	2	2	2
P6	Speed	5	7	8	10	12	10	8	5	5	8	10	12	10	8	7	5
	Incline	2	2	4	4	6	6	6	6	4	4	4	4	4	2	2	2
P7	Speed	5	6	6	6	7	8	10	10	8	9	10	10	8	6	5	5
	Incline	0	5	5	5	4	4	4	3	3	3	3	4	4	4	0	0
P8	Speed	5	5	5	5	6	7	5	6	7	5	6	7	5	5	5	5
	Incline	0	4	4	4	3	3	6	6	6	7	7	8	8	9	0	0
P9	Speed	5	5	5	8	9	9	6	8	9	6	8	9	6	6	5	5
	Incline	0	5	5	5	6	6	6	7	8	9	9	9	9	10	10	0
P10	Speed	5	6	6	9	9	6	9	10	6	10	11	11	6	6	5	5
	Incline	0	5	5	6	6	6	4	4	6	6	5	5	8	8	0	0
P11	Speed	5	6	7	8	9	7	6	8	10	10	8	8	7	6	5	5
	Incline	0	6	6	6	7	5	8	8	4	4	4	5	5	8	0	0
P12	Speed	5	7	10	12	9	9	12	12	9	9	12	12	7	7	5	5
	Incline	0	5	3	2	6	6	2	2	2	2	2	4	5	6	0	0

## Index

<b>Treadmill</b> .....	<b>22</b>
<b>Safety warnings</b> .....	<b>22</b>
Electrical safety	23
Description (fig. A)	23
Package contents (fig. B & C)	23
Assembly (fig. D)	23
Workouts	24
Exercise Instructions	24
Heart rate	24
<b>Use</b> .....	<b>25</b>
<b>Console (fig. E-1)</b> .....	<b>26</b>
External connections	26
Buttons ..	26
Explanation of display items	27
<b>Programs</b> .....	<b>28</b>
Quick start	28
Manual mode	28
End or Pause your workout	28
Preset Programs (P02~P12)	28
Body Fat	28
HRC program	29
Bluetooth & APP	29
<b>Warranty</b> .....	<b>29</b>
<b>Cleaning and maintenance</b> .....	<b>30</b>
Lubrication (fig. F-4)	30
Belt and Running Deck	30
<b>Troubleshooting</b> .....	<b>31</b>
<b>Transport and storage</b> .....	<b>32</b>
Additional information	32
<b>Technical data</b> .....	<b>32</b>
<b>Declaration of the manufacturer</b> .....	<b>32</b>
<b>Disclaimer</b> .....	<b>32</b>

## Treadmill

Welcome to the world of Tunturi!  
Thank you for purchasing this piece of Tunturi equipment. Tunturi offers a wide range of home fitness equipment, including crosstrainers, treadmills, exercise bikes and rowers. The Tunturi equipment is suitable for the entire family, no matter what fitness level. For more information, please visit our website [www.tunturi.com](http://www.tunturi.com)

## Important Safety Instructions

This Owner's Manual is an essential part of your training equipment: reading all instructions in this manual before you start using this appliance. The following precautions must always be followed:

## Safety warnings



### WARNING

- Read the safety warnings and the instructions. Failure to follow the safety warnings and the instructions can cause personal injury or damage to the equipment. Keep the safety warnings and the instructions for future reference.



### WARNING

- Heart rate monitoring systems may be inaccurate. Over exercise may result in serious injury or death. If you feel faint stop exercising immediately.
- The equipment is suitable for domestic use only. The equipment is not suitable for commercial use.
- Max. usage is limited to 3 hrs a day.
- The use of this equipment by children or persons with a physical, sensory, mental or motorial disability, or lack of experience and knowledge can give cause to hazards. Persons responsible for their safety must give explicit instructions or supervise the use of the equipment.
- Before starting your workout, consult a physician to check your health.
- If you experience nausea, dizziness or other abnormal symptoms, immediately stop your workout and consult a physician.
- To avoid muscular pain and strain, start each workout by warming up and finish each workout by cooling down. Remember to stretch at the end of the workout.
- The equipment is suitable for indoor use only. The equipment is not suitable for outdoor use.
- Only use the equipment in environments with adequate ventilation. Do not use the equipment in draughty environments in order not to catch a cold.
- Only use the equipment in environments with ambient temperatures between 10 °C~35 °C. Only store the equipment in environments with ambient temperatures between 5 °C~45 °C.
- Do not use or store the equipment in humid surroundings. The air humidity must never be more than 80%.
- Only use the equipment for its intended purpose. Do not use the equipment for other purposes than described in the manual.
- Do not use the equipment if any part is damaged or defective. If a part is damaged or defective, contact your dealer.

- Keep your hands, feet and other body parts away from the moving parts.
- Keep your hair away from the moving parts.
- Wear appropriate clothing and shoes.
- Keep clothing, jewellery and other objects away from the moving parts.
- Make sure that only one person uses the equipment at a time. The equipment must not be used by persons weighing more than 130 kg (287 lbs).
- Do not open equipment without consulting your dealer.

## Electrical safety

(Only for equipment with electric power)

- Before use, always check that the mains voltage is the same as the voltage on the rating plate of the equipment.
- Do not use an extension cable.
- Keep the mains cable away from heat, oil and sharp edges.
- Do not alter or modify the mains cable or the mains plug.
- Do not use the equipment if the mains cable or the mains plug is damaged or defective. If the mains cable or the mains plug is damaged or defective, contact your dealer.
- Always fully unwind the mains cable.
- Do not run the mains cable underneath the equipment. Do not run the mains cable underneath a carpet. Do not place any objects on the mains cable.
- Make sure that the mains cable does not hang over the edge of a table.
- Make sure that the mains cable cannot be caught accidentally or tripped over.
- Do not leave the equipment unattended when the mains plug is inserted into the wall socket.
- Do not pull the mains cable to remove the mains plug from the wall socket.
- Remove the mains plug from the wall socket when the equipment is not in use, before assembly or disassembly and before cleaning and maintenance.



### CAUTION

- If voltage varies by ten percent (10%) or more, the performance of your treadmill may be affected. Such conditions are not covered under your warranty. If you suspect the voltage is low, contact your local power company or a licensed electrician for proper testing.



### CAUTION

- NEVER use a RCD - Residual Current Device (U.S. ver.= GFCI) - wall outlet with this treadmill. As with any appliance with a large motor, the RCD/GFCI will trip often. Route the power mains cord away from any moving part of the treadmill including the elevation mechanism and transport wheels.

## Grounding Instructions

This product must be grounded. If the treadmill's electrical system should malfunction or breakdown grounding provides a path of least resistance for electric current, reducing the risk of electric shock. This product is equipped with a cord having an equipment-grounding plug. The plug must be plugged into an appropriate outlet that is properly installed and grounded in accordance with all local codes and ordinances.



### WARNING

- Improper connection of the equipment-grounding conductor can result in a risk of electric shock. Check with a qualified electrician or serviceman if you are in doubt as to whether the product is properly grounded. Do not modify the plug provided with the product if it will not fit the outlet; have a proper outlet installed by a qualified electrician.

## Description (fig. A)

Your treadmill is a piece of stationary fitness equipment used to simulate walking or running without causing excessive pressure to the joints.

## Package contents (fig. B & C)

- The package contains the parts as shown in fig. B.
- The package contains the fasteners as shown in fig. C. Refer to the section "Description"



### NOTE

- If a part is missing, contact your dealer.

## Assembly (fig. D)



### WARNING

- Assemble the equipment in the given order.
- Carry and move the equipment with at least two persons.



### CAUTION

- Place the equipment on a firm, level surface.
  - Place the equipment on a protective base to prevent damage to the floor surface.
  - Allow at least 100 cm of clearance around the equipment.
- Refer to the illustrations for the correct assembly of the equipment.

## Workouts

The workout must be suitably light, but of long duration. Aerobic exercise is based on improving the body's maximum oxygen uptake, which in turn improves endurance and fitness. You should perspire, but you should not get out of breath during the workout.

To reach and maintain a basic fitness level, exercise at least three times a week, 30 minutes at a time. Increase the number of exercise sessions to improve your fitness level. It is worthwhile to combine regular exercise with a healthy diet. A person committed to dieting should exercise daily, at first 30 minutes or less at a time, gradually increasing the daily workout time to one hour. Start your workout at low speed and low resistance to prevent the cardiovascular system from being subjected to excessive strain.

As the fitness level improves, speed and resistance can be increased gradually. The efficiency of your exercise can be measured by monitoring your heart rate and your pulse rate.

## Exercise Instructions

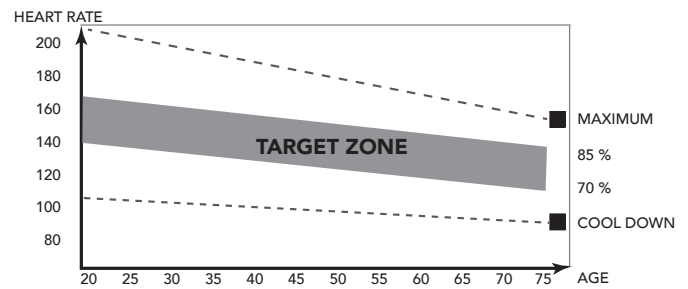
Using your fitness trainer will provide you with several benefits, it will improve your physical fitness, tone muscle and in conjunction with a calorie controlled diet help you lose weight.

### The warming up phase

This stage helps get the blood flowing around the body and the muscles working properly. It will also reduce the risk of cramp and muscle injury. It is advisable to do a few stretching exercises as shown below. Each stretch should be held for approximately 30 seconds, do not force or jerk your muscles into a stretch - if it hurts, STOP

### The exercise phase

This is the stage where you put the effort in. After regular use, the muscles in your legs will become more flexible. Work to your but it is very important to maintain a steady tempo throughout. The rate of work should be sufficient to raise your heart beat into the target zone shown on the graph below.



This stage should last for a minimum of 12 minutes though most people start at about 15-20 minutes

### The cool down phase

This stage is to let your Cardiovascular System and muscles wind down. This is a repeat of the warm up exercise e.g. reduce your tempo, continue for approximately 5 minutes. The stretching exercises should now be repeated, again remembering not to force or jerk your muscles into the stretch.

As you get fitter you may need to train longer and harder. It is advisable to train at least three times a week, and if possible space your workouts evenly throughout the week.

### Muscle toning

To tone muscle while on your fitness trainer you will need to have the resistance set quite high. This will put more strain on our leg muscles and may mean you cannot train for as long as you would like. If you are also trying to improve your fitness you need to alter your training program. You should train as normal during the warm up and cool down phases, but towards the end of the exercise phase you should increase resistance making your legs work harder. You will have to reduce your speed to keep your heart rate in the target zone.

### Weight loss

The important factor here is the amount of effort you put in. The harder and longer you work the more calories you will burn. Effectively this is the same as if you were training to improve your fitness, the difference is the goal.

## Heart rate

### Pulse rate measurement (hand pulse sensors)

The pulse rate is measured by sensors in the handlebars when the user is touching both sensors at the same time. Accurate pulse measurement requires that the skin is slightly moist and constantly touching the hand pulse sensors. If the skin is too dry or too moist, the pulse rate measurement will become less accurate.



**NOTE**

- Do not use the hand pulse sensors in combination with a heart rate chest belt.
- If you set a heart rate limit for your workout, an alarm will sound when it is exceeded.

**Heart rate measurement (heart rate chest belt)**

The most accurate heart rate measurement is achieved with a heart rate chest belt. The heart rate is measured by a heart rate receiver in combination with a heart rate transmitter belt. Accurate heart measurement requires that the electrodes on the transmitter belt are slight moist and constantly touching the skin. If the electrodes are too dry or too moist, the heart rate measurement will become less accurate.

**WARNING**

- If you have a pacemaker, consult a physician before using a heart rate chest belt.

**CAUTION**

- If there are several heart rate measurement devices next to each other, make sure that the distance between them is at least 1.5 metres.
- If there is only one heart rate receiver and several heart rate transmitters, make sure that only one person with a transmitter is within transmission range.

**NOTE**

- Do not use a heart rate chest belt in combination with the hand pulse sensors.
- Always wear the heart rate chest belt under your clothes directly in contact with your skin. Do not wear the heart rate chest belt above your clothes. If you wear the heart rate chest belt above your clothes, there will be no signal.
- If you set a heart rate limit for your workout, an alarm will sound when it is exceeded.
- The transmitter transmits the heart rate to the console up to a distance of 1 metre. If the electrodes are not moist, the heart rate will not appear on the display.
- Some fibers in clothes (e.g. polyester, polyamide) create static electricity which can prevent accurate heart rate measurement.
- Mobile phones, televisions and other electrical appliances create an electromagnetic field which can prevent accurate heart rate measurement.

**Maximum heart rate (during training)**

The maximum heart rate is the highest heart rate a person can safely achieve through exercise stress. The following formula is used to calculate the average maximum heart rate:  $220 - \text{AGE}$ . The maximum heart rate varies from person to person.

**WARNING**

- Make sure that you do not exceed your maximum heart rate during your workout. If you belong to a risk group, consult a physician.

**Beginner  
50-60% of maximum heart rate**

Suitable for beginners, weight-watchers, convalescents and persons who have not exercised for a long time. Exercise at least three times a week, 30 minutes at a time.

**Advanced  
60-70% of maximum heart rate**

Suitable for persons who want to improve and maintain fitness. Exercise at least three times a week, 30 minutes at a time.

**Expert  
70-80% of maximum heart rate**

Suitable for the fittest of persons who are used to long-endurance workouts.

**Use****Master power switch (fig. E-2A)**

The equipment is equipped with a master power switch to shut down the equipment completely.

**To start the equipment:**

- Insert the mains plug into the equipment.
- Insert the mains plug into the wall socket.
- Set the master power switch to the on position.

**To stop the equipment:**

- Set the mains power switch to the off position.
- Remove the mains plug from the wall socket.
- Remove the mains plug from the equipment.

**Safety key (Fig F-4)**

The equipment is equipped with a safety key that must be properly inserted into the console to start the equipment. If you remove the safety key from the console, the equipment will stop immediately.

- Insert the safety key into the slot in the console.
- Make sure that the clip of the safety key is properly attached to your clothing.  
Make sure that the clip is not removed from your clothing before the safety key is removed from the console.

**Circuit breaker (Fig. E-2B)**

The equipment is equipped with a circuit breaker that interrupts the circuit when the electricity load is above the maximum capacity. When this occurs, the circuit breaker must be pressed.

**WARNING**

- Before pressing the circuit breaker, remove the mains plug from the equipment.

If the equipment shuts down, proceed as follows to restart the equipment:

- Remove the mains plug from the equipment.
- Press the circuit breaker to restart the equipment.
- Insert the mains plug into the equipment.

**NOTE**

- Some circuit breakers used in homes are not rated for high inrush currents that can occur when a treadmill is first turned on or even during normal use. If your treadmill is tripping the circuit breaker (even though it is the proper current rating and the treadmill is the only appliance on the circuit) but the circuit breaker on the treadmill itself does not trip, you will need to replace the breaker with a high inrush type. This is not a warranty defect. This is a condition we as a manufacture have no ability to control.

**Unfolding and folding the equipment (fig. F1-F2)**

The equipment can be unfolded for use (fig. F1) and folded for transport and storage (fig. F2).

Refer to the illustrations for the correct way of unfolding and folding the equipment.

**CAUTION**

- Before folding the equipment, make sure that the incline is 0%. If the incline is not 0%, folding will damage the mechanism.

**Console (fig. E-1)****CAUTION**

- Keep the console away from direct sunlight.
- Dry the surface of the console when it is covered with drops of sweat.
- Do not lean on the console.

**NOTE**

- The console switches to standby mode when the equipment is not used for 10 minutes. Press any key to wake up console again when being in standby mode.

**External connections****USB port**

Usb port can be used for charging purposes only.

**AUX port**

Aux port can be used to connect an external media device and play music over the build in speakers.

**NOTE**

- The console can only be used as speaker system, and is not able to use as media player. You need an extra device to use as a media player such as a smart phone or tablet.
- When using the console speakers it might result in HR reading problems.

**Buttons****Start**

- Start selected workout.
- Restart Paused workout when being in pause mode.

**Stop**

- Stop the active training, and reset al parameters.

**Pause**

- Press to pause workout at any time. "PAU" will be displayed, and runnign data will be saved.

**Incline up**

- Increases the incline (0~15 ± 0,5).
- Pressing and holding will increase the incline faster.
- Change values in programming mode.

**Incline Down**

- Decreases the incline (0~15 ± 0,5).
- Pressing and holding will decrease the incline faster.
- Change values in programming mode.

**Incline hot keys.**

Incline Hot Keys are set as: 3, 5 & 7.

For example, the incline level changes from any level to 7 by pressing the Incline Hot Key 7.

**Speed Up**

- Increases the speed (0,8~20 km/h ±0,1km/h).
- Pressing and holding will increase the speed faster.
- Change values in programming mode.

**Speed Down**

- Decreases the speed (0,8~20 km/h ±0,1km/h).
- Pressing and holding will decrease the speed faster.
- Change values in programming mode.

## Speed hot keys:

Speed Hot Keys are set as: 6, 8 & 10 km/h.  
For example, the speed changes from any speed to 8 KPH by pressing the Speed Hot Key 8.

## Mode

- Select Countdown program mode, Knowing:
 

Time Countdown	30:00
Distance Countdown	1:00
Calorie Countdown	50.0
Step Countdown	5000

## Manual

- Select the program mode "Manual" quickly (P-1)

## HRC

- Select the program mode "HRC" quickly.

## Interval

- Select the program mode "Interval " quickly. (P-2)

## Lose weight

- Select the program mode "lose weight" quickly." (P-3) quickly.

## Walk

- Select the program mode "Walk" (P-4) quickly.

## Run

- Select the program mode "Walk" (P-5) quickly.

## Explanation of display items

---

### Speed

- Shows the actual treadmill speed in workout mode.  
Display range: 0.8~20.0 km/h.

### Pulse

- Shows the pulse rate when holding both HR handgrips, or wear compatible chest strap (5Khz).  
Display range: 50~200 bpm.

### Distance

- Shows the ran distance workout mode.
- Shows remaining distance when being in countdown mode. When reach goal display will show "END".
- Display range: 0.00~99.99 km.  
When reached maximum display distance, the counting will start over again.



#### NOTE

- This parameter will only count when walking/ running on the treadmill. This is because of the build in movement sensing system.

## Time

- Shows the ran time in workout mode.
- Shows remaining time when being in countdown mode. When reach goal display will show "END".
- Display range: 0:00~18:00 hours.  
When reached maximum display time, the counting will start over again.

## Calories

- Shows the consumed calories in workout mode.
- Shows remaining calories when being in countdown mode. When reach goal display will show "END".
- Display range: 0.0~999 K.Calories.  
When reached maximum display calories, the counting will start over again.



#### NOTE

- This parameter will only count when walking/ running on the treadmill. This is because of the build in movement sensing system.
- This data is a rough guide for comparison of different exercise sessions which cannot be used in medical treatment.

## Incline

- Shows the actual treadmill incline in workout mode.  
Display range: 0.0~15 (steps)

## Pace

- Shows based on the current speed how long it will take in minutes to run 1km distance.



#### NOTE

- This parameter will only count when walking/ running on the treadmill. This is because of the build in movement sensing system.

## Steps

- Shows the actual running steps.
- Shows remaining steps when being in countdown mode. When reach goal display will show "END".
- Display range: 0~99999 steps.  
When reached maximum display calories, the counting will start over again.



#### NOTE

- This parameter will only count when walking/ running on the treadmill. This is because of the build in movement sensing system.

## Matrix

- Displays running speed and incline profile for the selected program.  
Each speed window block is equal to 2 km/h.  
Each incline window block is equal to 2 steps.

## Programs

### Quick start

- Press "START" button to start your workout without any pre-set settings.
- Treadmill will start at minimum speed of 0,8 Km/h after a 3 seconds countdown, without any preset goal setting.
- Adjust Speed / Incline manually at any time to change your workout, and stop/ pause at anytime.

### Manual mode

- Press "PROGRAMS" button to open programming mode.
- Press "PROGRAMS" buttons to select Prog 01 or press "MANUAL" button for quick selection.
- Press "SPEED/ INCLINE" buttons to set your desired training time  
Default training time is set on 30:00 minutes.  
Range 5:00~99:00 min.
- Press "START" button to start your workout, or ....
- Press "MODE" button to modify the pre set speed and incline settings for each program segment.
- Press the "SPEED" buttons to set the speed.  
Press the "INCLINE" buttons to set the incline.  
Press "MODE" button to confirm and go to next programming stage of the program profile. .
- Repeat the above action to configure the other steps (16 steps in total ).
- Press the START/STOP button to start the program.



#### NOTE

- During the workout mode you can use "SPEED/ INCLINE" keys to adjust speed and/ or incline for the active training segment of the running profile.
- When the pre set training time is reached the display will show "END" and workout stops.

### End or Pause your workout

- Pause your workout at any time by press "Pause" button once.
- Press "START" button to resume training when being in pause mode.
- Press "STOP" button to stop workout and reset console.

## Preset Programs (P02~P12)

The equipment has 12 pre-set programs with different profiles (Fig G).

- Press "PROGRAM" button to open programming mode, keep pressing "PROGRAM" button to select P 02~P 12 program.
- Press "MODE" buttons to select your training goal:  
Time: Default 30:00  
Distance: Default 1.00  
Calories: Default 50.0  
Steps: Default 5000  
Press "SPEED/ INCLINE" buttons to set your desired training goal.  
Press "START" button to start your workout.

## Body Fat

The Body Fat program is program to indicate your fiscal state, based on your body parameters and heart rate.

- Press "PROGRAMS" keep pressing "PROGRAM" button to select "FAT"(body fat) programming mode.
- Press "MODE" button to confirm and open programming mode.
- "F-1" is shown in Display:  
Gender set mode: 01=Male/ 02=Female  
Press "SPEED/ INCLINE" buttons to set gender, press "MODE/ ENTER" button to confirm.
- "F-2" is shown in Display:  
Age set mode: 10~99 year  
Press "SPEED/ INCLINE" buttons to set age, press "MODE" button to confirm.
- "F-3" is shown in Display:  
Height set mode: 100~200 cm  
Press "SPEED/ INCLINE" buttons to set height, press "MODE" button to confirm.
- "F-4" is shown in Display:  
Weight set mode: 20~150 kg.  
Press "SPEED/ INCLINE" buttons to set height, press "MODE" button to confirm.
- "F-5" is shown in Display:  
Grab both hand-pulse sensor plates to start measuring process.  
Display will display "----" in active mode.



#### CAUTION

- Holding the contact hand-grip heart rate measurement pads is required for this function.

## Result Body fat test

<20	Too thin
20~25	Normal
26~29	Little overweight
>29	Too Fat

## HRC program

- Press "MODE" button continuously until HRC appears in "DISTANCE" window.
- Press and hold "MODE" button for 3 seconds to enter age setting mode ( default = 30 )  
Adjust to required age by using "SPEED/ INCLINE" buttons and press "MODE" button to confirm.
- Console will show a recommended HR target based on your age, you can adjust by using "SPEED/ INCLINE" buttons and press "MODE" to confirm setting.
- Console will show maximum speed, you can adjust by using "SPEED/ INCLINE" buttons and press "MODE" to confirm setting.



### NOTE

- Trainer will not exceed the pre set maximum speed during this programmed workout.
- Console will show training time ( default = 10:00 )  
Adjust to required time by using "SPEED/ INCLINE" buttons and press "MODE" button to confirm.
- Press "START" button to start your workout.

## Program progress

The exercise will start with speed 3.0km/h and system will detect your heart rate signal every 20 seconds.

- If detected heart rate is less than the 90% of the target heart rate, speed will accelerate 1.0km/h.
- If detected heart rate is less than the 95% of the target heart rate, speed will accelerate 0.5km/h.
- If detected heart rate is less than the 97% of the target heart rate, speed will accelerate 0.3km/h.
- If detected heart rate is between 97%-103% of the target heart rate, speed will not change.
- If the detected heart rate is more than 110% of the target heart rate, speed will decrease 1.0km/h.
- If detected heart rate is more than 105% of the target heart rate, speed will decrease 0.5km/h.
- If detected heart rate is more than 103% of the target heart rate, speed will decrease 0.3km/h.
- If detected heart rate is between 97%-103% of the target heart rate, speed will not change.
- When reach the max speed, but the heart rate is more than 103% or less than 97% of the target heart rate, system will decrease or increase incline

by 1 step or increase 1 step until the heart rate is between 97%-103% of the target heart rate.

- If there is no heart rate signal lasts for more than 30 seconds, system will show "NO HR", after 20 seconds still no signal detected, the treadmill will be stop.



### NOTE

- After finish the HRC workout, all pre set values for HRC program will be reset to default.

## Bluetooth & APP

- This console can connect with an APP on a smart device by Bluetooth (iOS & Android).
- Establish the Bluetooth connection only via the connection mode on the installed APP on your smart device.



### NOTE

- Tunturi only provides the option to connect your fitness console throughout a blue tooth connection. Therefore Tunturi cannot be held responsible for damage, or malfunctioning of products other than Tunturi products.
- Check the website for extra information.

## Warranty

### Tunturi purchaser's warranty

#### Warranty terms

The consumer is entitled to the applicable legal rights stated in the national legislation concerning the commerce of consumer goods. This warranty does not restrict these rights. The Purchaser's Warranty is only valid if the item is used in an environment approved by Tunturi New Fitness BV for that particular equipment. The product-specific approved environment is stated in the Owner's Manual provided with your equipment.

#### Warranty conditions

The warranty conditions commence from the date of purchase. Warranty conditions may vary per country, so please consult your local dealer for the warranty conditions.

#### Warranty coverage

Under no circumstances shall Tunturi New Fitness BV or the Tunturi Distributor be liable by virtue of this warranty or otherwise for any special, indirect, secondary or consequential damages of any nature arising out of any use or inability to use this equipment.

## Warranty limitations

This warranty covers manufacturing defects in the fitness equipment as originally packed by Tunturi New Fitness BV. The warranty shall apply only under conditions of normal, recommended use of the product as described in the Owner's Manual and providing that Tunturi New Fitness BV's instructions for installation, maintenance and use have been complied with. Neither Tunturi New Fitness BV's nor the Tunturi Distributors' obligations apply to defects due to reasons beyond their control. The warranty applies only to the original purchaser and is valid only in countries where Tunturi New Fitness BV has an authorised importer. The warranty does not extend to fitness equipment or components that have been modified without the consent of Tunturi New Fitness BV. Defects resulting from normal wear, misuse, abuse, corrosion, or damage incurred during loading or transportation are not covered.

The warranty does not cover sounds or noises emitted during use where these do not substantially impede the use of the equipment and where they are not caused by a fault in the equipment.

The warranty does not cover defects arising from the failure to carry periodic maintenance as outlined within the Owner's Manual for the product. Furthermore, the warranty does not cover defects arising from usage and storage within an unsuitable environment as described within the Owner's Manual which should be indoors, dry, dust and grit free and within a temperature range of +15°C to +35°C. The warranty does not cover maintenance activities, such as cleaning, lubricating, and normal part adjustments, nor installation

procedures that customers can accomplish themselves, such as changing uncomplicated meters, pedals and other similar parts not requiring any dismantling/reassembling of the fitness equipment. Warranty repairs carried out by other than authorised Tunturi representatives are not covered.

Failure to follow the instructions given in the Owner's Manual will invalidate the product's warranty.

## Cleaning and maintenance



### WARNING

- Before cleaning and maintenance, remove the mains plug from the wall socket.
  - Do not use solvents to clean the equipment.
- Do not block the ventilation openings. Keep the ventilation openings clear from dust, dirt and other obstructions.
  - Clean the equipment with a soft, absorbent cloth after each use.

- Clean the visible parts of the equipment with a vacuum cleaner with a small suction nozzle
- Regularly check that all screws and nuts are tight.

## Lubrication (fig. F-4)

The running belt must be checked for lubrication condition regularly. Therefore the treadmill comes with a 300 hours reminder function. The "TIME WINDOW" will display "OIL" and will make an acoustic beeping sound every 10 seconds to remind you. Follow the below checking procedure and eliminate the "OIL" message and acoustic warning signal by pressing and hold the "STOP" button for at least 3 seconds during this warning signal.



### CAUTION

- We recommend to check the running belt lubrication at least once every month, as more factors than time can be effective to the lubricant conditions.
- Only lubricate the running belt if necessary. If you apply too much lubricant, the running belt will slip easily due to lack of friction.



### WARNING

- Before lubrication, remove the mains plug from the wall socket.
- Stand steadily on the running belt.
  - Take hold of the front handlebar and push the running belt with your feet so that it slides back and forth. The running belt must move smoothly and evenly without making sound.
  - If the running belt does not move smoothly and evenly or if the running belt does not move at all, touch the underside of the running belt with your fingertips to check the lubrication:
    - If you feel lubrication or your fingertips are shiny, there is sufficient lubrication on the running belt.
    - If you do not feel lubrication or your fingertips are dusty or rough, apply lubricant (15-20 ml) in the middle of the running deck under the running belt and let the equipment operate at 5km/h for at least 5 minutes.
    - After lubrication, do not fold the equipment before having done a workout for 20 minutes with a speed of at least 5 km/h. The lubricant will be spread evenly over the running belt.

## Belt and Running Deck

Your treadmill uses a very high-efficient low-friction bed. Performance is maximized when the running deck is kept as clean as possible. Use a soft, damp cloth or paper towel to wipe the edge of the belt and the area between the belt edge and frame. Also reach as far as

practical directly under the belt edge. This should be done once a month to extend belt and running deck life. Use water only - no cleaners or abrasives. A mild soap and water solution along with a nylon scrub brush will clean the top of the textured belt. Allow the belt to dry before using.

### Belt Dust

This occurs during normal break-in or until the belt stabilizes. Wiping excess off with a damp cloth will minimize build-up.

### General Cleaning

Dirt, dust, and pet hair can block air inlets and accumulate on the running belt. On a monthly basis: vacuum underneath your treadmill to prevent buildup. Twice a year, you should remove the black motor hood and vacuum out dirt that may accumulate.  
UNPLUG POWER CORD BEFORE THIS TASK.

### Belt adjustments

Adjustment must be made from the rear roller. The adjustment bolts are located at the end of the step rails in the end caps.

- Tighten the rear roller bolts (clockwise) only enough to prevent slippage at the front roller. Turn both running belt tension adjustment bolts in increments of 1/4 turn each and inspect for proper tension by walking on the belt at a low speed, making sure the belt does not slip. Keep tensioning the bolts until the belt stops slipping.
- If you feel the belt is tight enough, but it still slips, the problem may be a loose Motor drive belt under the front cover.
- Do Not Over-tighten  
Over tightening will cause belt damage and premature bearing failure.

### Running belt tracking adjustment

The performance of your treadmill is dependent on the frame running on a reasonably level surface. If the frame is not level, the front and back roller cannot run parallel, and constant belt adjustment may be necessary.

The treadmill is designed to keep the running belt reasonably centered while in use. It is normal for some belts to drift near one side while the belt is running with no one on it. After a few minutes of use, the running belt should have a tendency to center itself. If, during use, the belt continues to move toward one side, adjustments are necessary.

#### **EXCEPTION:**

During rehabilitation where the user is using one leg much stronger than the other, it might happen that the running belt drifts to one side. In these cases you should not adjust unless the running belt does not centre itself during normal condition usage.

### To set running belt tracking (fig. F-5)

A 10 mm Allen wrench is provided to adjust the rear roller. Make tracking adjustments from the left side only. Set belt speed at approximately 3 to 5 kph.

Remember, a small adjustment can make a dramatic difference!

Turn the bolt clockwise to move the belt to the right. Counterclockwise to move to the left. Turn the bolt only a 1/4 turn and wait a few minutes for the belt to adjust itself. Continue to make 1/4 rotation turns until the belt stabilizes in the center of the running deck.

The belt may require periodic tracking adjustment depending on use and walking/running characteristics. Some users will affect tracking differently. Expect to make adjustments as required to center the tread-belt. Adjustments will become less of a maintenance concern as the belt is used. Proper belt tracking is an owner responsibility common with all treadmills.



#### **NOTE**

- Damage to the running belt because of incorrect running-belt adjustments is not covered by the products warranty.

## Troubleshooting

Despite continuous quality control, defects and malfunctions caused by individual components may occur in the equipment. In most cases it's unnecessary to take the whole device in for repair, as it's usually sufficient to replace the defective part.

If the equipment does not function properly during use, contact your Tunturi dealer immediately. Always give the model and serial number of your equipment. Please state also the nature of the problem, conditions of use and purchase date.

If you require spare parts, always give the model, serial number of your equipment and the spare part number for the part you need. The spare part list is at the back of this manual. Use only spare parts mentioned in the spare part list.

### Error codes

If the display shows an error code (marked with "E"/ "DC" + number), restart the equipment and check whether the display still shows the error code. If the display still shows the error code, immediately contact the dealer.

## Transport and storage



### WARNING

- Before cleaning and maintenance, remove the mains plug from the wall socket.
- Carry and move the equipment with at least two persons.
- Make sure that there are no other persons or objects under the equipment.
- When folding the folding the equipment, make sure that you hear the equipment lock into position to prevent the equipment from dropping back down.



### CAUTION

- Before folding the equipment, make sure that the incline is 0%. If the incline is not 0%, folding will damage the mechanism.
- Move the equipment as shown (fig. F3). Move the equipment and carefully put the equipment down. Place the equipment on a protective base to prevent damage to the floor surface. Move the equipment carefully over uneven surfaces. Do not move the equipment upstairs using the wheels, but carry the equipment by the handlebars.
- Store the equipment in the upright position (fig. F1). Store the equipment in a dry place with as little temperature variation as possible.

## Additional information

### Packaging disposal

Government guidelines ask that we reduce the amount of waste material disposed of in land fill sites. We therefore ask that you dispose of all packaging waste responsibly at public recycling centres.

### End of life disposal

We at Tunturi hope you enjoy many years of enjoyable use from your fitness trainer. However, a time will come when your fitness trainer will come to the end of its useful life. Under 'European WEEE Legislation you are responsible for the appropriate disposal of your fitness trainer to a recognised public collection facility.

## Technical data

Parameter	Unit of measurement	Value
Mains voltage	VAC	220~240
Mains frequency	Hz	50-60
Motor	HP	3.5
Speed	Km/h	0.8~20
Incline	Steps	0~20
Telemetric heart rate receiver	Frequency	5.0 KHz
Length	Cm	180
Width	Cm	89
Height	Cm	151
Weight	Kg	90
Max. user weight	Kg	130

## Declaration of the manufacturer

Tunturi New Fitness BV declares that the product is in conformity with the following standards and directives: EN 957 (HB), 89/336/EEC. The product therefore carries the CE label.

12-2018

Tunturi New Fitness BV  
Purmerweg 1  
1311 XE Almere  
The Netherlands

## Disclaimer

© 2018 Tunturi New Fitness BV  
All rights reserved.

The product and the manual are subject to change.  
Specifications can be changed without further notice.



## Deutsch

Diese deutsche Bedienungsanleitung ist eine Übersetzung des englischen Textes. Es können keine Rechte auf diese Übersetzung abgeleitet werden.

## Index

<b>Laufband .....</b>	<b>33</b>
<b>Warnhinweise zur Sicherheit.....</b>	<b>33</b>
Elektrische Sicherheit	34
Beschreibung (Abb. A)	35
Verpackungsinhalt (Abb. B & C)	35
Zusammenbau (Abb. D)	35
<b>Trainings.....</b>	<b>35</b>
Trainingsanleitung	35
Herzfrequenz	36
<b>Gebrauch.....</b>	<b>37</b>
<b>Konsole (Abb. E-1) .....</b>	<b>37</b>
Externe Verbindungen	38
Tasten ....	38
Erklärung der Anzeigeelemente	39
<b>Programme.....</b>	<b>39</b>
Schnellstart	39
Manueller Modus	40
Training beenden oder pausieren	40
Voreingestellte Programme (P02~P12)	40
Body Fat (Körperfett)	40
HRC-Programm	41
Bluetooth & APP	41
<b>Garantie .....</b>	<b>42</b>
<b>Reinigung und Wartung .....</b>	<b>42</b>
Schmierung (Abb. F-4)	42
Gurt und Lauffläche	43
<b>Betriebs- störungen .....</b>	<b>44</b>
<b>Transport und Lagerung .....</b>	<b>44</b>
Zusätzliche Informationen	44
<b>Technische Daten .....</b>	<b>45</b>
<b>Herstellereklärung.....</b>	<b>45</b>
<b>Haftungsausschluss .....</b>	<b>45</b>

## Laufband

Willkommen in der Welt von Tunturi!

Danke, dass Sie dieses Gerät von Tunturi erworben haben. Tunturi bietet eine breite Palette an Heim-Fitnessgeräten wie beispielsweise Crosstrainer, Laufbänder, Trainingsfahrräder und Rudergeräte an. Die Tunturi Geräte sind für die ganze Familie geeignet - ganz egal, wie fit man ist. Weitere Informationen finden Sie auf unserer Website unter [www.tunturi.com](http://www.tunturi.com)

### Wichtige sicherheitshinweise

Dieses Handbuch ist ein wesentlicher Bestandteil Ihres Trainingsgerätes. Lesen Sie es bitte sorgfältig durch, bevor Sie Ihr Trainingsgerät montieren, mit ihm trainieren oder es warten. Bitte bewahren Sie dieses Handbuch auf; es wird Sie jetzt und zukünftig darüber informieren, wie Sie Ihr Gerät benutzen und warten. Befolgen Sie diese Anweisungen immer sorgfältig.

## Warnhinweise zur Sicherheit



### WARNUNG

- Lesen Sie die Warnhinweise zur Sicherheit und die Anweisungen. Werden die Warnhinweise zur Sicherheit und die Anweisungen nicht befolgt, kann dies zu Personenverletzungen und Schäden am Gerät führen. Bewahren Sie die Warnhinweise zur Sicherheit und die Anweisungen zur künftigen Bezugnahme auf.



### WARNUNG

- Herzfrequenz-Überwachungssysteme können ungenau sein.
  - Eine Überanstrengung kann zu schweren Schädigungen oder zum Tod führen. Wenn Sie sich schwach oder ohnmächtig fühlen, stellen Sie die Übungen unverzüglich ein.
- Das Gerät ist nur für den Hausgebrauch geeignet. Das Gerät ist nicht für den gewerblichen Gebrauch geeignet.
  - Die maximale Verwendung ist auf 3 Stunden pro Tag beschränkt
  - Wenn dieses Gerät von Kindern oder Personen mit körperlicher, sensorischer, geistiger oder motorischer Behinderung verwendet wird, oder wenn nicht genügend Erfahrung und Kenntnisse vorhanden sind, kann dies zu Gefahrensituationen führen. Personen, die für deren Sicherheit verantwortlich sind, müssen klare Anweisungen geben oder den Gebrauch des Geräts beaufsichtigen.

- Bevor Sie Ihr Training starten, nehmen Sie Kontakt mit einem Arzt auf, um Ihre Gesundheit kontrollieren zu lassen.
- Falls Sie Übelkeit, ein Schwindelgefühl oder andere anormale Symptome verspüren, hören Sie unverzüglich mit Ihrem Training auf und wenden Sie sich an einen Arzt.
- Um einen Muskelkater zu vermeiden, starten Sie jedes Training mit Aufwärmen und beenden Sie es mit Abkühlen. Denken Sie daran, sich am Ende des Trainings zu dehnen.
- Das Gerät ist nur für den Gebrauch in geschlossenen Räumen geeignet. Das Gerät ist nicht für den Gebrauch im Freien geeignet.
- Verwenden Sie das Gerät nur in Umgebungen mit ausreichender Belüftung. Verwenden Sie das Gerät nicht in zugiger Umgebung, damit Sie sich nicht erkälten.
- Verwenden Sie das Gerät nur in Umgebungen mit Umgebungstemperaturen zwischen 10 °C~35 °C. Lagern Sie das Gerät nur in Umgebungen mit einer Umgebungstemperatur zwischen 5 °C~45 °C.
- Verwenden und lagern Sie das Gerät nicht in feuchten Umgebungen. Die Luftfeuchtigkeit darf niemals 80% überschreiten.
- Verwenden Sie das Gerät nur bestimmungsgemäß. Verwenden Sie das Gerät nicht für einen anderen als für den in diesem Handbuch beschriebenen Zweck.
- Verwenden Sie das Gerät nicht, falls Teile beschädigt oder defekt sind. Ist ein Teil beschädigt oder defekt, wenden Sie sich an Ihren Händler.
- Halten Sie Ihre Hände, Füße und andere Körperteile von den beweglichen Teilen fern.
- Halten Sie Ihr Haar von den beweglichen Teilen fern.
- Tragen Sie entsprechende Kleidung und Schuhe.
- Halten Sie Kleidung, Schmuck und andere Gegenstände von den beweglichen Teilen fern.
- Vergewissern Sie sich, dass das Gerät nur von einer Person auf einmal verwendet wird. Das Gerät darf nicht von Personen verwendet werden, deren Gewicht 130 kg (287 lbs) überschreitet.
- Öffnen Sie das Gerät nicht, ohne vorher mit Ihrem Händler zu sprechen.

## Elektrische Sicherheit

(Betrifft nur elektrisch betriebene Geräte)

- Vergewissern Sie sich vor der Verwendung stets, dass die Netzspannung mit der Spannung auf dem Typenschild des Geräts übereinstimmt.
- Verwenden Sie kein Verlängerungskabel.
- Halten Sie das Netzkabel von Hitze, Öl und scharfen Kanten fern.
- Verändern Sie nichts am Netzkabel oder am Netzstecker.

- Verwenden Sie das Gerät nicht, falls das Netzkabel oder der Netzstecker beschädigt oder defekt ist. Ist das Netzkabel oder der Netzstecker beschädigt oder defekt, wenden Sie sich an Ihren Händler.
- Wickeln Sie das Netzkabel immer vollständig ab.
- Lassen Sie das Netzkabel nicht unter dem Gerät entlanglaufen. Lassen Sie das Netzkabel nicht unter einem Teppich entlanglaufen. Stellen Sie keine Gegenstände auf das Netzkabel.
- Vergewissern Sie sich, dass das Netzkabel nicht über der Kante eines Tisches hängt. Vergewissern Sie sich, dass niemand versehentlich über das Netzkabel stolpert.
- Lassen Sie das Gerät nicht unbeaufsichtigt, wenn der Netzstecker in die Wandsteckdose eingesteckt ist.
- Ziehen Sie nicht am Netzkabel, um den Netzstecker aus der Wandsteckdose zu ziehen.
- Ziehen Sie den Netzstecker aus der Wandsteckdose, wenn das Gerät nicht verwendet wird, bevor es zusammengebaut oder zerlegt wird sowie vor der Reinigung und Wartung.



### WARNUNG

- Schwankungen in der Netzspannung von mehr als 10 Prozent können zu Fehlfunktionen des Gerätes führen und die Elektronik beschädigen. Die Leistungsaufnahme kann maximal 15 A betragen. Die Garantie erlischt, wenn das Gerät nicht diesen Anleitungen entsprechend angeschlossen wird



### WARNUNG

- NIEMALS eine RCD-Steckdose für das Laufband verwenden - Residual Current Device (Fehlerstromschutzschalter) (U.S. ver.= GFCI). Wie bei jedem Gerät mit einem starken Motor, würde das RCD/GFCI oft ausgelöst werden. Führen Sie das Stromkabel abseits aller beweglichen Teile des Laufbands, einschließlich des Hebemechanismus und der Transporträder.

## Erdungsanweisungen

Dieses Produkt muss geerdet werden. Wenn das Elektrosystem des Laufbands nicht funktioniert oder ausfällt, ist die Erdung der letzte Widerstand für Stromspannung, wodurch Stromschläge vermieden werden. Dieses Produkt hat eine Kabel mit einem Erdungsstecker. Der Stecker muss in eine geeignete Dose gesteckt werden, die richtig gemäß aller örtlichen Bestimmungen und Verordnungen installiert und geerdet ist.



### WARNUNG

- Ein ungeeigneter Erdungsanschluss des Geräts kann zu Stromschlägen führen. Überprüfen Sie zusammen mit einem qualifizierten Elektriker oder Servicemitarbeiter in Zweifelsfällen, ob das Gerät richtig geerdet ist. Nehmen Sie am

Stecker, der mit dem Produkt geliefert wurde, keine Veränderungen vor, wenn dieser nicht in die Steckdose passt; lassen Sie von einem qualifizierten Elektriker eine passende Steckdose installieren.

## Beschreibung (Abb. A)

Ihr Laufband ist ein ortsgebundenes Fitnessgerät, das zur Simulation des Gehens oder Laufens verwendet wird, ohne dabei einen übermäßigen Druck auf die Gelenke auszuüben.

## Verpackungsinhalt (Abb. B & C)

- Die Verpackung enthält die in Abb. B dargestellten Teile.
- Die Verpackung enthält die Befestigungsteile gemäß Abb. C. Siehe Abschnitt "Beschreibung".



### HINWEIS

- Fehlt ein Teil, wenden Sie sich an Ihren Händler.

## Zusammenbau (Abb. D)



### WARNUNG

- Bauen Sie das Gerät in der angegebenen Reihenfolge zusammen.
- Tragen und bewegen Sie das Gerät mit mindestens zwei Personen.



### VORSICHT

- Stellen Sie das Gerät auf festen, ebenen Boden.
  - Stellen Sie das Gerät auf eine schützende Unterlage, um Schäden am Bodenbelag zu vermeiden.
  - Sorgen Sie rund um das Gerät für einen Freiraum von mindestens 100 cm.
- Der richtige Zusammenbau des Geräts geht aus den Abbildungen hervor.

## Trainings

Das Training muss leicht und geeignet, aber von langer Dauer sein. Aerobic-Übungen basieren auf der Verbesserung der maximalen Sauerstoffaufnahme des Körpers, was wiederum die Ausdauer und Fitness verbessert. Sie sollten während des Trainings zwar ins

Schwitzen, aber nicht außer Atem kommen. Um eine Basisfitness zu erreichen und zu halten, üben Sie mindestens drei mal pro Woche 30 Minuten lang an einem Stück. Erhöhen Sie die Anzahl der Übungssitzungen, um Ihre Fitness zu verbessern. Es lohnt sich, die regelmäßigen Übungen mit einer gesunden Diät zu kombinieren. Personen, die Diät machen, sollten täglich zuerst 30 Minuten oder weniger an einem Stück üben und die tägliche Trainingszeit allmählich auf eine Stunde verlängern. Beginnen Sie Ihr Training mit niedriger Geschwindigkeit und geringem Widerstand, um zu vermeiden, dass das Herz-Kreislaufsystem einer übermäßigen Belastung ausgesetzt wird. Mit sich verbessernder Fitness können Geschwindigkeit und Widerstand allmählich erhöht werden. Die Wirksamkeit Ihrer Übungen kann durch Überwachung der Herzfrequenz und Ihrer Pulsfrequenz gemessen werden.

## Trainingsanleitung

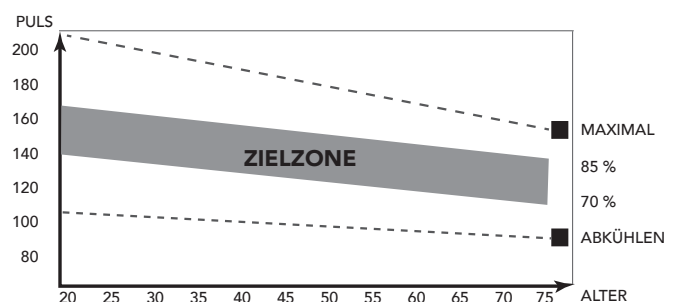
Die Verwendung des Fitnessstrainers wird Ihnen viele Vorteile bieten: Er verbessert Ihre körperliche Fitness, formt die Muskeln und hilft Ihnen, in Verbindung mit einer kalorienreduzierten Diät, Gewicht zu verlieren.

### Die Aufwärm-Phase

Der Blutkreislauf wird angeregt und die Muskelfunktionen werden unterstützt. Außerdem wird das Risiko von Krämpfen und Muskelverletzungen gesenkt. Sie sollten, wie unten angezeigt, einige Dehnungsübungen machen. Sie sollten weder die Dehnungsbewegung erzwingen noch die Muskeln dabei ruckweise bewegen - wenn Sie Schmerzen haben, sollten Sie AUFHÖREN.

### Die Trainings-Phase

In dieser Phase strengen Sie sich an. Nach regelmäßiger Verwendung werden die Muskeln in Ihren Beinen beweglicher. In dieser Phase ist es sehr wichtig, immer ein gleichmäßiges Tempo beizubehalten. Die Anstrengung sollte ausreichen, um Ihren Herzschlag bis in die Zielzone zu erhöhen, die im folgenden Diagramm dargestellt ist.



Diese Phase sollte mindestens 12 Minuten dauern; die meisten Menschen beginnen mit ca. 15 bis 20 Minuten.

## Die Abkühlungs-Phase

Sie dient der Entspannung Ihres Herz-Kreislaufsystems und Ihrer Muskeln. Dabei werden die Aufwärmübungen wiederholt, reduzieren Sie zum Beispiel Ihr Tempo und machen Sie ca. 5 Minuten weiter. Jetzt sollten die Dehnübungen wiederholt werden. Denken Sie wiederum daran, weder die Dehnungsbewegung zu erzwingen noch die Muskeln dabei ruckweise zu bewegen.

Wenn Sie fitter werden, kann es sein, dass Sie länger und härter trainieren müssen. Sie sollten mindestens drei Mal die Woche trainieren und, falls möglich, Ihre Trainingseinheiten gleichmäßig über die Woche verteilen.

## Muskelformung

Um Ihre Muskeln beim Training auf dem Fitnessstrainer zu formen, müssen Sie den Widerstand ziemlich hoch einstellen. Dadurch werden die Beinmuskeln mehr angestrengt und Sie können möglicherweise nicht so lange trainieren, wie Sie möchten. Wenn Sie außerdem Ihre Fitness verbessern möchten, müssen Sie Ihr Trainingsprogramm ändern. Sie sollten in den Aufwärm- und Abkühlphasen normal trainieren, jedoch gegen Ende der Trainingsphase den Widerstand erhöhen, damit Ihre Beine härter arbeiten müssen. Sie müssen die Geschwindigkeit verringern, damit Ihre Herzfrequenz in der Zielzone bleibt.

## Gewichtsabnahme

Der wichtige Faktor ist, wie sehr Sie sich anstrengen. Je härter und je länger Sie trainieren, desto mehr Kalorien verbrennen Sie. Dies ist im Grunde dasselbe, wie wenn zur Verbesserung Ihrer Fitness trainieren, nur das Ziel ist ein anderes.

## Herzfrequenz

### Pulsfrequenzmessung (Handpulssensoren)

Die Pulsfrequenz wird durch Sensoren in den Handgriffen gemessen, wenn der Nutzer beide Sensoren gleichzeitig anfasst. Für eine genaue Pulsfrequenzmessung ist es erforderlich, dass die Haut etwas feucht ist und die Handpulssensoren konstant berührt werden. Ist die Haut zu trocken oder zu feucht, wird die Pulsfrequenzmessung weniger genau.



#### HINWEIS

- Verwenden Sie die Handpulssensoren nicht in Kombination mit einem Herzfrequenz-Brustgürtel.
- Wenn Sie sich einen Herzfrequenz-Grenzwert für Ihr Training setzen, ertönt beim Überschreiten ein Signal.

### Herzfrequenzmessung (Herzfrequenz-Brustgürtel)

Die genaueste Herzfrequenzmessung lässt sich mit einem Herzfrequenz-Brustgürtel erzielen. Die Herzfrequenz wird mit einem Herzfrequenzempfänger in Kombination mit einem Herzfrequenz-Sendegürtel gemessen. Für eine genaue Herzfrequenzmessung ist es erforderlich, dass die Elektroden am Sender etwas feucht sind und die Haut konstant berühren. Sind die Elektroden zu trocken oder zu feucht, wird die Herzfrequenzmessung weniger genau.



#### WARNUNG

- Falls Sie einen Schrittmacher haben, wenden Sie sich zunächst an einen Arzt, bevor Sie einen Herzfrequenz-Brustgürtel verwenden.



#### VORSICHT

- Falls sich mehrere Herzfrequenz-Messgeräte in gegenseitiger Nähe befinden, vergewissern Sie sich, dass der Abstand zwischen ihnen mindestens 1,5 Meter beträgt.
- Falls nur ein Herzfrequenzempfänger und mehrere Herzfrequenzsender vorhanden sind, vergewissern Sie sich, dass nur eine Person mit einem Sender in Sendereichweite ist.



#### HINWEIS

- Verwenden Sie keinen Herzfrequenz-Brustgürtel in Kombination mit den Handpulssensoren.
- Tragen Sie den Herzfrequenz-Brustgürtel stets mit direktem Hautkontakt unter Ihrer Kleidung. Tragen Sie den Herzfrequenz-Brustgürtel nicht auf Ihrer Kleidung. Falls Sie den Herzfrequenz-Brustgürtel auf Ihrer Kleidung tragen, gibt es kein Signal.
- Wenn Sie sich einen Herzfrequenz-Grenzwert für Ihr Training setzen, ertönt beim Überschreiten ein Signal.
- Der Sender überträgt die Herzfrequenz in einem Abstand bis zu 1 Meter zur Konsole. Sind die Elektroden nicht feucht, erscheint die Herzfrequenz nicht auf der Anzeige.
- Einige Fasern in der Kleidung (z.B. Polyester, Polyamid) erzeugen statische Elektrizität, die eine genaue Herzfrequenzmessung verhindern kann.
- Mobiltelefone, Fernsehgeräte und andere Elektrogeräte erzeugen ein elektromagnetisches Feld, das eine genaue Herzfrequenzmessung verhindern kann.

### Maximale Herzfrequenz (während des Trainings)

Die maximale Herzfrequenz ist die höchste Herzfrequenz, die eine Person durch Übungsbelastung sicher erzielen kann. Folgende Formel wird zur Berechnung der durchschnittlichen maximalen

Herzfrequenz verwendet: 220 - ALTER. Die maximale Herzfrequenz variiert von Person zu Person.



### **WARNUNG**

- Stellen Sie sicher, dass Sie während des Trainings Ihre maximale Herzfrequenz nicht überschreiten. Falls Sie einer Risikogruppe angehören, wenden Sie sich an einen Arzt.

### **Anfänger 50-60% der maximalen Herzfrequenz**

Geeignet für Anfänger, Gewicht- Beobachter, Genesende und Personen, die schon lange nicht mehr trainiert haben. Trainieren Sie mindestens dreimal pro Woche 30 Minuten an einem Stück.

### **Fortgeschritten 60-70% der maximalen Herzfrequenz**

Geeignet für Personen, die ihre Fitness verbessern und halten wollen. Trainieren Sie mindestens dreimal pro Woche 30 Minuten an einem Stück.

### **Experte 70-80% der maximalen Herzfrequenz**

Geeignet für die fittesten Personen, die sich an lange Ausdauertrainings gewöhnt haben.

## **Gebrauch**

---

### **Hauptschalter (Abb. E-2A)**

Das Gerät ist mit einem Hauptschalter ausgestattet, mit dem es komplett abgeschaltet werden kann.

#### **Um das Gerät zu starten:**

- Stecken Sie den Netzstecker in das Gerät.
- Stecken Sie den Netzstecker in die Wandsteckdose.
- Schalten Sie den Hauptschalter ein (ON).

#### **Um das Gerät zu stoppen:**

- Schalten Sie den Netzschalter aus (OFF).
- Ziehen Sie den Netzstecker aus der Wandsteckdose.
- Ziehen Sie den Netzstecker aus dem Gerät.

### **Sicherheitsschlüssel (Abb. F-4)**

Das Gerät ist mit einem Sicherheitsschlüssel ausgestattet, der zum Starten in die Konsole gesteckt werden muss. Wird der Sicherheitsschlüssel aus der Konsole entfernt, stoppt das Gerät sofort.

- Stecken Sie den Sicherheitsschlüssel in den Schlitz in der Konsole.
- Vergewissern Sie sich, dass der Clip des Sicherheitsschlüssels richtig an Ihrer Kleidung befestigt ist.  
Vergewissern Sie sich, dass der Clip nicht von Ihrer Kleidung entfernt wird, bevor der Sicherheitsschlüssel aus der Konsole gezogen wird.

### **Schutzschalter (Abb. E-2B)**

Das Gerät ist mit einem Schutzschalter ausgestattet, der den Strom unterbricht, wenn die elektrische Last die maximale Kapazität überschreitet. Tritt dies ein, muss der Schutzschalter gedrückt werden..



### **WARNUNG**

- Ziehen Sie vor dem Drücken des Schutzschalters den Netzstecker aus dem Gerät.

Schaltet das Gerät ab, gehen Sie wie folgt vor, um das Gerät neu zu starten:

- Ziehen Sie den Netzstecker aus dem Gerät.
- Drücken Sie den Schutzschalter, um das Gerät neu zu starten.
- Stecken Sie den Netzstecker in das Gerät.



### **HINWEIS**

- Einige Schutzschalter in Gebäuden sind nicht auf hohen Einschaltstrom ausgelegt, der beim ersten Einschalten des Laufbands oder auch bei normaler Verwendung vorkommen kann. Wenn Ihr Laufband den Schutzschalter auslöst (auch wenn die Spannung korrekt ist und das Laufband das einzige Gerät im Stromkreis ist), aber der Schutzschalter im Laufband selbst nicht ausgelöst wird, müssen Sie den Schalter durch einen für hohen Einschaltstrom ersetzen. Dies ist nicht Teil der Garantieleistungen. Diese Bedingungen können vom Hersteller nicht beeinflusst werden.

### **Auseinander- und Zusammenklappen des Geräts (Abb. F1-F2)**

Das Gerät kann zum Gebrauch auseinandergeklappt (Abb.F1) und zum Transport und zur Aufbewahrung zusammengeklappt werden (Abb. F2). Aus den Abbildungen geht hervor, wie das Gerät richtig auseinander- und zusammengeklappt wird.



### **WARNUNG**

- Stelle sicher das der Steigungswinkel auf 0% steht bevor sie das Lauf-deck einklappen. Wenn der Steigungswinkel nicht auf 0% steht, dann kann der Mechanismus beschädigt werden.

## **Konsole (Abb. E-1)**

---



### **VORSICHT**

- Halten Sie die Konsole von direkter Sonneneinstrahlung fern.
- Trocknen Sie die Oberfläche der Konsole, wenn Sie mit Schweißtropfen bedeckt ist.

- Lehnen Sie sich nicht auf die Konsole.
- Berühren Sie die Anzeige nur mit Ihrer Fingerspitze. Vergewissern Sie sich, dass Ihre Nägel oder andere scharfe Gegenstände die Anzeige nicht berühren.



## HINWEIS

- Die Konsole schaltet in den Standby-Modus, wenn das Gerät 10 Minuten lang nicht verwendet wird.

## Externe Verbindungen

### USB-Port

USB-Port kann nur zum Aufladen verwendet werden:

### AUX-Port

Der Aux-Port kann mit einem externen Mediengerät verbunden werden, sodass Musik über die eingebauten Lautsprecher abgespielt werden kann.



## HINWEIS

- Das Cockpit kann nur als Lautsprechersystem verwendet werden und nicht als Mediaplayer. Als Mediaplayer benötigen Sie ein zusätzliches Gerät wie ein Smartphone oder Tablet.
- Bei Nutzung der Cockpitlautsprecher können HR-Leseprobleme auftreten.

## Tasten

### Start

- Starten Sie das ausgewählte Training.
- Starten Sie das Anhalten des Trainings im Pausemodus neu.

### Stop

- Stoppen Sie das aktive training, und setzt alle Parameter zurück.

### Pause

- Drücken und das Training jederzeit unterbrechen. "PAU" wird angezeigt und die Laufdaten werden gespeichert.

### Incline up

- Erhöht die Steigung (0~15 ± 0,5).
- Die Steigung wird schneller erhöht, wenn die Taste gedrückt gehalten wird.
- Ändern Sie die Werte im Programmiermodus.

### Incline Down

- Verringert die Steigung (0~15 ± 0,5).
- Die Steigung wird schneller verringert, wenn die Taste gedrückt gehalten wird.
- Ändern Sie die Werte im Programmiermodus.

## Steigungsschnellasten.

Steigungsschnellasten sind auf: 3, 5 & 7 voreingestellt. Der Steigungsgrad ändert sich z.B. von einer beliebigen Steigung zu 7 wenn die Steigungsschnellaste 7 gedrückt wird.

## Speed Up

- Erhöht die Geschwindigkeit (0,8~20 km/h ±0,1km/h).
- Die Geschwindigkeit wird schneller erhöht, wenn die Taste gedrückt gehalten wird.
- Ändern Sie die Werte im Programmiermodus.

## Speed Down

- Verringert die Geschwindigkeit (0,8~20 km/h ±0,1km/h).
- Die Geschwindigkeit wird schneller verringert, wenn die Taste gedrückt gehalten wird.
- Ändern Sie die Werte im Programmiermodus.

## Geschwindigkeitsschnellasten.

Geschwindigkeitsschnellasten sind auf: 6, 8 & 10 km/h voreingestellt.

Die Geschwindigkeit ändert sich z.B. von einer beliebigen Geschwindigkeit zu 8 km/h, wenn die Geschwindigkeitsschnellaste 8 gedrückt wird.

## Mode

- Wählen Sie aus dem Countdown-Programm einen Modus aus:
 

"Time"	Zeit-Countdown	30:00
"Distance"	Entfernungs-Countdown	1:00
"Calorie"	Kalorien-Countdown	50.0
"Step"	Schritt-Countdown	5000.

## Manual

- Wählen Sie den Programmiermodus "Manual" (P-1) Schnell.

## HRC

- Wählen Sie den Programmiermodus "HRC" Schnell.

## Interval

- Wählen Sie den Programmiermodus "Interval" (P-2) Schnell.

## Lose weight

- Wählen Sie den Programmiermodus "Lose weight" (P-3) Schnell.

## Walk

- Wählen Sie den Programmiermodus "Walk" (P-4) Schnell.

## Run

- Wählen Sie den Programmiermodus "Run" (P-5) Schnell.

## Erklärung der Anzeigeelemente

---

### Speed

- Zeigt im Trainingsmodus die aktuelle Laufbandgeschwindigkeit.  
Anzeigebereich: 0,8 ~ 20,0 km/H.

### Pulse

- Aktueller Puls wird nach sechs Sekunden angezeigt, wenn dieser von der Konsole erkannt wird.  
Kompatibel Brustgurt (5Khz)..  
Anzeigebereich: 50 ~ 200 bpm.

### Distance (Entfernung)

- Zeigt im Trainingsmodus die zurückgelegte Strecke an.
- Zeigt im Countdown-Modus die verbleibende Entfernung an. Wenn das Ziel erreicht ist, wird im Display "END" angezeigt.
- Anzeigebereich: 0,00~99,99 km.  
Wenn die maximale Entfernung in der Anzeige erreicht ist, beginnt die Zählung erneut.



#### HINWEIS

- Dieser Parameter zählt nur beim Gehen/Laufen auf dem Laufband vorwärts/rückwärts. Dies liegt an dem eingebauten Bewegungserfassungssystem.

### Time (Zeit)

- Zeigt im Trainingsmodus die gelaufene Zeit an.
- Zeigt im Countdown-Modus die verbleibende Zeit an. Wenn das Ziel erreicht ist, wird im Display "END" angezeigt.
- Anzeigebereich: 0,00~18:00 Stunden.  
Wenn die maximale Zeit in der Anzeige erreicht ist, beginnt die Zählung erneut.

### Calories (Kalorien)

- Zeigt im Trainingsmodus die verbrauchten Kalorien an.
- Zeigt im Countdown-Modus die verbleibenden Kalorien an. Wenn das Ziel erreicht ist, wird im Display "END" angezeigt.
- Anzeigebereich: 0,0~999 Kilokalorien.  
Wenn die maximale Kalorienzahl in der Anzeige erreicht ist, beginnt die Zählung erneut.



#### HINWEIS

- Dieser Parameter zählt nur beim Gehen/Laufen auf dem Laufband vorwärts/rückwärts. Dies liegt an dem eingebauten Bewegungserfassungssystem.
- Diese Daten sind ein grober Anhaltspunkt für den Vergleich verschiedener Trainingssitzungen, die nicht für eine medizinische Behandlung verwendet werden können.

### Incline (Steigung)

- Zeigt im Trainingsmodus die aktuelle Laufbandsteigung an. Anzeigebereich: 0,0~15 (Schritte)

### Pace (Tempo)

- Zeigt auf Grundlage der aktuellen Geschwindigkeit an, wie viel Zeit in Minuten für 1 km Entfernung gebraucht wird.



#### HINWEIS

- Dieser Parameter zählt nur beim Gehen/Laufen auf dem Laufband vorwärts/rückwärts. Dies liegt an dem eingebauten Bewegungserfassungssystem.

### Steps (Schritte)

- Zeigt die aktuell gelaufenen Schritte.
- Zeigt im Countdown-Modus die verbleibenden Schritte an. Wenn das Ziel erreicht ist, wird im Display "END" angezeigt.
- Anzeigebereich: 0,0~999 Schritte.  
Wenn die maximale Schrittzahl in der Anzeige erreicht ist, beginnt die Zählung erneut.



#### HINWEIS

- Dieser Parameter zählt nur beim Gehen/Laufen auf dem Laufband vorwärts/rückwärts. Dies liegt an dem eingebauten Bewegungserfassungssystem.

### Matrix

- Zeigt die Laufgeschwindigkeit und das Steigungsprofil für das ausgewählte Programm an. Jedes Geschwindigkeitsfenster entspricht 2 km/h. Jedes Steigungsfenster entspricht 2 Schritten.

## Programme

---

### Schnellstart

---

- Drücken Sie die Taste „START“, um das Training ohne irgendwelche Voreinstellungen zu beginnen.
- Das Laufband beginnt nach 3 Sekunden mit der Mindestgeschwindigkeit von 0,8 km/h, wenn keine Voreinstellungen vorgenommen wurden.
- Die Einstellung „SPEED/INCLINE“ (Geschwindigkeit/Steigung) lässt sich jederzeit manuell einstellen, um Ihr Training zu ändern. Sie können es auch jederzeit stoppen/unterbrechen.

## Manueller Modus

- Drücken Sie die Taste „PROGRAMME“, um den Programmiermodus zu aktivieren.
- Drücken Sie die Tasten „PROGRAMME“, um Prog 01 auszuwählen oder drücken Sie „MANUAL“ für eine Schnellauswahl.
- Drücken Sie die Tasten „SPEED/ INCLINE“, um Ihre gewünschte Trainingszeit einzustellen.

Die Standardtrainingszeit ist auf 30:00 Minuten eingestellt.

Bereich 05:00 bis 99:00 min

- Drücken Sie die Taste „START“, um Ihr Training zu beginnen oder..
- Drücken Sie die Taste „MODE“, um die voreingestellte Geschwindigkeit und Steigung für jedes Programmsegment zu ändern.
- Drücken Sie auf die Geschwindigkeitstasten, um die Geschwindigkeit einzustellen.  
Drücken Sie die Taste „INCLINE“, um die Steigung einzustellen.  
Drücken Sie die Taste „MODE“ um zu bestätigen und zum nächsten Punkt des Programmprofils zu wechseln.
- Wiederholen Sie oben genannten Schritt zur Einstellung anderer Werte (insgesamt 16 Schritte).
- Drücken Sie die Taste START/STOP, um das Programm zu starten.



### HINWEIS

- Im Trainingsmodus können Sie mit den „SPEED/ INCLINE“-Tasten die Geschwindigkeit und/oder Steigung für das aktive Trainingssegment des Laufprofils anpassen.
- Wenn die voreingestellte Trainingszeit erreicht ist, wird im Display „END“ angezeigt und das Training wird beendet.

## Training beenden oder pausieren

- Unterbrechen Sie Ihr Training durch einmaliges Drücken der Taste „PAUSE“.
- Drücken Sie die Taste „START“, um das Training wieder aufzunehmen, wenn Sie sich im Pausemodus befinden.
- Drücken Sie die Taste „STOP“, um das Training zu beenden und das Cockpit zurückzusetzen.

## Voreingestellte Programme

### (P02~P12)

Das Gerät besitzt 12 voreingestellte Programme mit verschiedenen Profilen (Abb. G).

- Drücken Sie die Taste „PROGRAMME“, um den Programmiermodus zu aktivieren, halten Sie die Taste gedrückt um aus den Programmen P 02~P 12 zu wählen.
- Drücken Sie auf die Modustasten, um Ihr Trainingsziel auszuwählen:  
Zeit: Standard 30:00  
Entfernung: Standard 1.00  
Kalorien: Standard 50.0  
Schritte: Standard 5000  
Drücken Sie die Tasten „SPEED/ INCLINE“, um Ihr gewünschtes Trainingsziel einzustellen. Drücken Sie die Taste „START“, um Ihr Training zu beginnen.

## Body Fat (Körperfett)

Das Körperfettprogramm ist ein Programm zur Anzeige Ihrer körperlichen Verfassung, basierend auf Ihren Körperparametern und Ihrer Herzfrequenz.

- Drücken Sie die Taste „PROGRAMME“, um den Programmiermodus „FAT“ (Körperfett) zu aktivieren.
- Drücken Sie die Taste „MODE“ um zu bestätigen und den Programmiermodus zu aktivieren.
- Im Display wird „F-1“ angezeigt.  
Geschlecht einstellen: 01=männlich/ 02=weiblich  
Drücken Sie die Tasten „SPEED/ INCLINE“ zum Einstellen des Geschlechts, drücken Sie „MODE/ ENTER“ zur Bestätigung.
- Im Display wird „F-2“ angezeigt:  
Alter einstellen: 10~99 Jahre  
Drücken Sie die Tasten „SPEED/ INCLINE“ um das Alter einzustellen,  
dann „MODE“ um zu bestätigen.
- Im Display wird „F-3“ angezeigt:  
Größe einstellen: 100~200 cm  
Drücken Sie die Tasten „SPEED/ INCLINE“ um die Größe einzustellen,  
dann „MODE“ um zu bestätigen.
- Im Display wird „F-4“ angezeigt:  
Gewicht einstellen: 20~150 kg.  
Drücken Sie die Tasten „SPEED/ INCLINE“, um Ihre Größe einzugeben,  
drücken Sie dann zur Bestätigung die Taste „MODE“.
- Im Display wird „F-5“ angezeigt:  
Greifen Sie beide Handpulssensorplatten, um den Messvorgang zu starten.  
Die Anzeige zeigt „- - - - -“ im aktiven Modus an.



**ACHTUNG**

- Für diese Funktion ist das Halten der Kontakthandgriff-Herzfrequenzmesspads erforderlich.

**Ergebnis der Körperfettmessung**

<20	Zu dünn
25~20	Normal
26~29	Leichtes Übergewicht
>29	Zu fett

**HRC-Programm**

- Drücken Sie die Taste "MODE" so lange, bis HRC im Fenster "DISTANCE" erscheint.
- Halten Sie die Taste "MODE" 3 Sekunden lang gedrückt, um in den Alterseinstellmodus zu gelangen ( Standard = 30)  
Einstellen des gewünschten Alters mit den Tasten "SPEED/ INCLINE" und drücken Sie die Taste "MODE" zur Bestätigung.
- Das Cockpit zeigt ein empfohlenes HR-Ziel basierend auf Ihrem Alter an, das Sie mit den Tasten "SPEED/ INCLINE" einstellen und mit der Taste "MODE" bestätigen können.
- Das Cockpit zeigt eine Höchstgeschwindigkeit an, die Sie mit den Tasten "SPEED/ INCLINE" anpassen und mit der Taste "MODE" bestätigen können.

**HINWEIS**

- Der Trainer überschreitet während dieses programmierten Trainings nicht die voreingestellte Höchstgeschwindigkeit.
- Das Cockpit zeigt die Trainingszeit an (Standard = 10:00). Stellen Sie die gewünschte Zeit mit den Tasten "SPEED/ INCLINE" ein und drücken Sie die Taste "MODE" zur Bestätigung.
- Drücken Sie die Taste „START“, um Ihr Training zu beginnen.

**Programmverlauf**

Die Übung beginnt mit einer Geschwindigkeit von 3,0 km/h und das System erkennt Ihr Herzfrequenzsignal alle 20 Sekunden.

- Wenn die erfasste Herzfrequenz unter 90 % der Zielherzfrequenz liegt, beschleunigt sich die Geschwindigkeit um 1,0 km/h.
- Wenn die erfasste Herzfrequenz unter 95 % der Zielherzfrequenz liegt, beschleunigt sich die Geschwindigkeit um 0,5 km/h.

- Wenn die erfasste Herzfrequenz unter 97 % der Zielherzfrequenz liegt, beschleunigt sich die Geschwindigkeit um 0,3 km/h.
- Wenn die erfasste Herzfrequenz zwischen 97 und 103 % der Zielherzfrequenz liegt, ändert sich die Geschwindigkeit nicht.
- Wenn die erfasste Herzfrequenz über 110 % der Zielherzfrequenz liegt, nimmt die Geschwindigkeit um 1,0 km/h ab.
- Wenn die erfasste Herzfrequenz über 105 % der Zielherzfrequenz liegt, nimmt die Geschwindigkeit um 0,5 km/h ab.
- Wenn die erfasste Herzfrequenz über 103 % der Zielherzfrequenz liegt, nimmt die Geschwindigkeit um 0,3 km/h ab.
- Wenn die erfasste Herzfrequenz zwischen 97 und 103 % der Zielherzfrequenz liegt, ändert sich die Geschwindigkeit nicht.
- Wenn die maximale Geschwindigkeit erreicht ist, aber die Herzfrequenz mehr als 103 % oder weniger als 97 % der Zielherzfrequenz beträgt, verringert oder erhöht das System die Steigung um 1 Stufe oder erhöht 1 Stufe, bis die Herzfrequenz zwischen 97 % und 103 % der Zielherzfrequenz liegt.
- Wenn länger als 30 Sekunden kein Herzfrequenzsignal erfasst wird, zeigt das System "NO HR" an, wird nach weiteren 20 Sekunden noch kein Signal erkannt, wird das Laufband gestoppt.

**HINWEIS**

- Nach Abschluss des HRC-Trainings werden alle voreingestellten Werte für das HRC-Programm auf den Standardwert zurückgesetzt.

**Bluetooth & APP**

- Diese Konsole kann über Bluetooth eine Verbindung mit ein APP auf dem Smart-Gerät herstellen. (iOS & Android)
- Erstellen Sie die Bluetooth-Verbindung nur über den Verbindungsmodus auf die installierte APP auf ihr Smartphone oder Tablet

**HINWEIS**

- Tunturi bietet nur die Option an, die Fitness-Konsole über eine Bluetooth-Verbindung anzuschließen. Daher ist Tunturi nicht für Schäden oder Fehlfunktionen von Produkten verantwortlich, die nicht von Tunturi sind.
- Überprüfen Sie die Website für zusätzliche Informationen

## Garantie

### Eigentümer-garantie für Tunturi fitnessgeräte.

#### Garantiebedingungen

Der Käufer ist berechtigt die den Handel mit Konsumgütern betreffenden gesetzlichen Rechte gemäß der nationalen Gesetzgebung in Anwendung zu bringen. Diese Rechte werden durch die Garantie nicht eingeschränkt. Bedingungen zu ersetzen. Die Eigentümer-Garantie gilt nur dann, wenn das Gerät in einer für entsprechende Geräte der Tunturi New Fitness BV zugelassenen Anwendungsumgebung verwendet wird. Die für das Gerät zugelassene Anwendungsumgebung wird in der Bedienungsanleitung des Geräts genannt.

#### Garantiedauer

Die Garantie gilt ab Kaufdatum. Die Garantiedauer kann sich je nach Land unterscheiden. Bitte wenden Sie sich an Ihren zuständigen Händler, um die Garantiedauer zu erfahren.

#### Garantieumfang

Unter keinen Umständen haften die Tunturi New Fitness BV oder der Tunturi-Vertragshändler für dem Käufer möglicherweise zugefügte indirekte Schäden wie Gebrauchsbeeinträchtigung oder Einkommensverlust oder anderen wirtschaftlichen Folgeschäden.

#### Einschränkungen der garantie

Die Garantie deckt durch Herstellung oder Material hervorgerufene Fehler des Fitnessgeräts in dessen ursprünglicher Zusammensetzung. Unter Voraussetzung, dass die Aufbau-, Pflege- und Gebrauchsanweisungen von Tunturi befolgt wurden, erstreckt sich die Garantie auf solche Fehler, die bei normaler und einem dem Gerät beiliegenden Anleitungsbuch entsprechender Benutzung auftreten können. Die Tunturi New Fitness BV und der Tunturi-Vertragshändler haften nicht für Fehler, die durch Faktoren außerhalb ihrer Einflussmöglichkeiten hervorgerufen wurden. Die Garantie gilt nur für den ursprünglichen Eigentümer und nur in den Ländern, in denen es einen von der Tunturi New Fitness BV autorisierten Importeur gibt. Die Garantie gilt nicht für solche Fitnessgeräte oder Teile, an denen ohne Zustimmung der Tunturi New Fitness BV Veränderungen vorgenommen worden sind. Die Garantie betrifft auch nicht solche Schäden, die durch natürlichen Verschleiß, fehlerhaften Gebrauch, Benutzung unter für das Gerät nicht vorgesehenen Umständen, Korrosion, Verladung oder Transport hervorgerufen wurden.

Ersatzleistungen aufgrund von Geräuschen, die beim Einsatz des Geräts auftreten, sind von der Garantie ausgeschlossen, sofern diese Geräusche den Gebrauch des Geräts nicht wesentlich beeinträchtigen und nicht durch einen Gerätefehler bedingt sind.

Die Garantie beinhaltet keine Wartungsmaßnahmen, wie Reinigung, Schmieren oder normales Kontrollieren der Teile, auch nicht solche Aufbaumaßnahmen, die der Kunde selbst ausführen kann und die kein spezielles Auseinander- oder Zusammenbauen des Fitnessgeräts erfordern. Zu solchen Maßnahmen gehört beispielsweise das Austauschen von Cockpits, Pedalen oder anderer entsprechender einfacher Teile. Andere als die durch einen autorisierten Tunturi-Vertreter ausgeführten Garantieleistungen werden nicht ersetzt. Durch unsachgemäße, d.h. nicht der Bedienungsanleitung entsprechenden, Bedienung, verfällt jedweder Garantieanspruch.

## Reinigung und Wartung



### WARNUNG

- Ziehen Sie vor der Reinigung und Wartung den Netzstecker aus der Wandsteckdose.
- Verwenden Sie zur Reinigung des Geräts keine Lösungsmittel.
- Blockieren Sie nicht die Belüftungsöffnungen. Halten Sie die Belüftungsöffnungen frei von Staub, Schmutz und anderen Hindernissen.
- Reinigen Sie das Gerät nach dem Gebrauch mit einem weichen aufnahmefähigen Lappen.
- Reinigen Sie die sichtbaren Teile des Geräts mit einem Staubsauger mit kleiner Saugdüse.
- Prüfen Sie regelmäßig, ob alle Schrauben und Muttern fest sind.

## Schmierung (Abb. F-4)

Das Laufband muss regelmäßig auf gute Schmierung geprüft werden. Daher wird die Treadmill mit einer Erinnerungsfunktion (alle 300 Stunden) geliefert. Das Fenster „TIME“ zeigt „OIL“ an und es ertönt ein Piepton im 10-Sekundentakt, um Sie an die Prüfung zu erinnern. Folgen Sie dem Ablauf zur Prüfung und löschen Sie die „OIL“-Mitteilung und das Tonsignal, indem Sie die Taste „STOP“ mindestens 3 Sekunden lang gedrückt halten, während das Signal ausgegeben wird.



### VORSICHT

- Wir empfehlen, die Laufmatten-Schmierung mindestens einmal im Monat zu überprüfen da die Schmierungsbedingungen von mehreren Faktoren, Ausser Zeit, beeinflusst werden können.
- Schmieren Sie das Laufband nur, wenn dies erforderlich ist. Wird zu viel Schmiermittel aufgetragen, kann das Laufband aufgrund mangelnder Reibung leicht durchrutschen.



## WARNUNG

- Ziehen Sie vor der Schmierung den Netzstecker aus der Wandsteckdose.
- Stellen Sie sich ruhig auf das Laufband.
- Halten Sie sich am vorderen Handgriff fest und schieben Sie das Laufband mit Ihren Füßen nach vorne und hinten. Das Laufband muss sich geschmeidig und gleichmäßig ohne Geräusentwicklung bewegen.
- Falls sich das Laufband nicht geschmeidig und gleichmäßig bewegt, oder falls es sich überhaupt nicht bewegt, fassen Sie mit den Fingerspitzen an die Unterseite des Laufbandes, um die Schmierung zu kontrollieren:
  - Falls Sie Schmiermittel fühlen können oder falls Ihre Fingerspitzen glänzen, ist genügend Schmierung am Laufband vorhanden.
  - Falls Sie kein Schmiermittel mit Ihren Fingerspitzen fühlen können oder falls die Fingerspitzen staubig und rau sind, tragen Sie Schmiermittel (15-20 ml) in der Mitte des Laufwerks unter dem Laufband auf und lassen Sie das Gerät mit ca. 5 km/h mindestens 5 Minuten lang laufen.
  - Klappen Sie das Gerät nach der Schmierung erst zusammen, wenn Sie ca. 20 Minuten lang bei einer Geschwindigkeit von mindestens 5 km/h ein Training durchgeführt haben. Das Schmiermittel verteilt sich gleichmäßig über das Laufband.

## Gurt und Lauffläche

Ihr Laufband hat ein sehr hocheffizientes reibungsarmes Band. Die Leistung wird erhöht, wenn die Lauffläche so sauber wie möglich ist. Verwenden ein weiches, feuchtes Tuch oder Papier, um die Ecken des Gurts und den Bereich zwischen Gurt und Rahmen zu reinigen. Reichen Sie dabei auch soweit wie möglich unter die Bändecken. Dies sollten Sie einmal in Monat tun, um die Lebensdauer der Lauffläche zu erhalten. Verwenden Sie nur Wasser - keine Reinigungs- oder Scheuermittel. Ein milde Seifenlösung mit einem Nylonscheuerschwamm kann verwendet werden, um die Oberfläche des Stoffbands zu reinigen. Das Band sollte vor der Nutzung getrocknet sein.

### Bandstaub

Dies kommt bei normalem Einlaufen oder bei der Bandstabilisierung vor. Wischen Sie ihn mit einem feuchten Tuch auf.

### Allgemeine Reinigung

Dreck, Staub und Tierhaare können die Ventilation verstopfen und sich auf dem Band sammeln. Monatlich: Unter dem Laufband staubsaugen. Zweimal im Jahr sollte die schwarz Motorabdeckung entfernt und gesaugt werden. VOR DER REINIGUNG STROMKABEL ABZIEHEN.

## Gurteinstellungen

Die Einstellung wird an der hinteren Rolle vorgenommen. Die Einstellungsschrauben befinden sich am Ende der Schienen in den Endkappen.

- Ziehen Sie die hinteren Rollenschrauben (im Uhrzeigersinn) soweit fest, dass ein Abrutschen von der vorderen Rolle verhindert wird. Drehen Sie beide Laufband-Zugspannungseinstellungsschrauben stufenweise um 1/4-Umdrehung und überprüfen Sie jeweils die Zugspannung, indem Sie bei geringer Geschwindigkeit auf dem Band laufen. Das Band sollte nicht verrutschen. Ziehen Sie die Schrauben soweit an, dass das Band nicht mehr verrutscht.
- Wenn Sie das Gefühl haben, dass das Band genügend gespannt ist, aber immer noch verrutscht, könnte die Ursache ein loses Motorantriebsband unter der vorderen Abdeckung sein.
- Nicht Überspannen  
Eine Überspannung führt zu Schäden am Band und vorzeitigem Verschleiß der Lager.

## Laufband-spureinstellung

Die Leistung Ihres Laufbands hängt davon ab, dass es auf einer geraden Oberfläche läuft. Wenn der Rahmen nicht gerade ist, können die vorderen und hinteren Rollen nicht parallel laufen und das Band muss immer nachgestellt werden.

Das Laufband wurde so entwickelt, dass das Band immer in der Mitte läuft. Bei einigen Bändern ist es normal, dass das Band zu einer Seite zieht, wenn keine Person darauf läuft. Nach ein paar Minuten der Nutzung sollte sich das Band von alleine zentriert haben. Wenn der Gurt bei der Nutzung zu einer Seite zieht, muss dies eingestellt werden.

### AUSNAHME.

In der Reha, bei der Benutzer ein Bein stärker belasten als das andere, kann es vorkommen, dass das Band zu einer Seite zieht. In diesen Fällen sollten Sie das Band nicht einstellen, es sei denn, das Band verläuft bei normaler Nutzung nicht mehr zentral.

### Einstellung der laufbandspur (Abb. F-5)

Für die hintere Rolle wird ein 10 mm-Inbusschlüssel benötigt. Spureinstellungen müssen von der linken Seite erfolgen. Stellen Sie die Bandgeschwindigkeit auf etwa 3 bis 5 km/h ein.

Denken Sie daran, dass eine kleine Änderung große Folgen haben kann!

Drehen Sie die Schraube im Uhrzeigersinn, um das Band nach rechts zu ziehen. Drehen Sie gegen den Uhrzeigersinn, zieht das Band nach links. Drehen Sie die Schraube nur etwa 1/4 Umdrehung und warten Sie ein paar Minuten, bis sich das Band selbst nachführt. Machen Sie eine weitere 1/4-Umdrehung, bis sich das Band in der Mitte der Lauffläche stabilisiert.

Das Band muss möglicherweise regelmäßig nachgestellt werden, je nach Nutzungs- und Laufverhalten. Verschiedene Benutzer wirken unterschiedlich auf das Band. Sie müssen das Band so einstellen, dass es in der Mitte der Fläche verläuft. Die Einstellungen werden im Laufe der Nutzung weniger aufwändig. Eine richtige Bandspurführung liegt in der Verantwortung des Besitzers.



## HINWEIS

- Schäden am Laufband durch fehlerhafte Spur-/Zugeneinstellungen, sind nicht von der Garantie abgedeckt.

## Betriebs- störungen

Trotz kontinuierlicher Qualitätsüberwachung können vereinzelt an den Geräten durch einzelne Komponenten verursachte Funktionsstörungen auftreten. Dabei ist es nicht angebracht, das ganze Gerät zur Reparatur zu bringen, da der Fehler meistens durch Austauschen der defekten Komponente behoben werden kann.

Wenn das Gerät während des Gebrauchs nicht einwandfrei funktioniert, wenden Sie sich bitte umgehend an die für Sie zuständige Tunturi-Alleinvertretung. Beschreiben Sie das Problem, die Einsatzbedingungen und teilen Sie das Kaufdatum und die Typenbezeichnung und die Seriennummer Ihres Gerätes mit.

Wenden Sie sich an Ihre nationale Tunturi-Vertretung, wenn Sie Ersatzteile benötigen. Beschreiben Sie die Einsatzbedingungen und teilen Sie das Kaufdatum und die Seriennummer des Gerätes mit. Die Ersatzteilnummern finden Sie in der Liste am Ende dieser Anweisung. Nur Teile in der Ersatzteilliste dürfen verwendet werden.

### Fehlercodes

Falls in der Anzeige ein Fehlercode erscheint (durch „E“/ „DC“ + Nummer erkennbar), starten Sie das Gerät neu und prüfen Sie, ob in der Anzeige der Fehlercode immer noch steht. Falls in der Anzeige der Fehlercode immer noch steht, wenden Sie sich unverzüglich an Ihren Händler.

## Transport und Lagerung



### WARNUNG

- Ziehen Sie vor der Reinigung und Wartung den Netzstecker aus der Wandsteckdose.
- Tragen und bewegen Sie das Gerät mit mindestens zwei Personen.
- Vergewissern Sie sich, dass sich keine Personen oder Gegenstände unter dem Gerät befinden.
- Vergewissern Sie sich beim Zusammenklappen des Geräts, dass Sie hören, wie das Gerät in seiner Position arretiert, um zu verhindern, dass das Gerät zurückfällt.



### VORSICHT

- Vergewissern Sie sich vor dem Zusammenklappen des Geräts, dass die Steigung 0% beträgt. Beträgt die Steigung nicht 0%, wird der Mechanismus beim Zusammenklappen beschädigt.
- Bewegen Sie das Gerät wie angegeben (Abb. F3). Bewegen Sie das Gerät und setzen Sie es vorsichtig ab. Stellen Sie das Gerät auf eine schützende Unterlage, um Schäden am Bodenbelag zu vermeiden. Bewegen Sie das Gerät vorsichtig über unebene Böden. Bewegen Sie das Gerät nicht auf den Rädern Treppen herauf, sondern tragen Sie es an den Handgriffen.
- Lagern Sie das Gerät in aufrechter Position (Abb. F1). Lagern Sie das Gerät an einem trockenen Ort mit möglichst wenig Temperaturschwankungen.

## Zusätzliche Informationen

### Verpackungsentsorgung

Staatliche Vorschriften sagen, dass wir die in Deponien entsorgten Abfallmengen verringern sollen. Daher bitten wir Sie, den gesamten Verpackungsabfall an öffentlichen Recyclingstellen abzugeben.

### Entsorgung am ende der Lebensdauer

Wir bei Tunturi hoffen, dass Sie Ihren Fitnesstrainer viele Jahre mit Freude nutzen werden. Jedoch wird irgendwann die Zeit kommen, wenn die Ende der Nutzungsdauer des Fitnesstrainers erreicht ist. Gemäß den europäischen WEEE-Gesetzen sind Sie für eine geeignete Entsorgung des Fitnesstrainers bei einer anerkannten öffentlichen Entsorgungsstelle verantwortlich.

## Technische Daten

Parameter	Maßeinheit	Wert
Netzspannung	VAC	220~240
Netzfrequenz	Hz	50-60
Motor	PS	3.5
Geschwindigkeit	Km/h	0.8~20
Steigung	Schritte	0~20
Telemetrischer Herzfrequenzempfänger	Frequenz	5.0 Khz
Länge	Cm	180
Breite	Cm	89
Höhe	Cm	151
Gewicht	Kg	90
Max. Benutzergewicht	Kg	130

## Herstellererklärung

Tunturi New Fitness BV erklärt hiermit, dass das Produkt folgenden Normen und Richtlinien entspricht: EN 957 (HB), 89/336/EWG. Das Produkt trägt daher das CE-Kennzeichen.

12-2018

Tunturi New Fitness BV  
Purmerweg 1  
1311 XE Almere  
The Netherlands

## Haftungsausschluss

© 2018 Tunturi New Fitness BV  
Alle Rechte vorbehalten.

Produkt und Handbuch können geändert werden.  
Die technischen Daten können ohne Vorankündigung geändert werden.

## Français

Ce manuel français est une traduction de la version anglaise. Notez que la version anglaise est en tête dans le contenu lorsque des différences sont trouvées.

## Indice

<b>Tapis de course</b> .....	<b>46</b>
<b>Avertissements de sécurité</b> .....	<b>46</b>
Sécurité électrique	47
Description (fig. A)	48
Contenu de l'emballage (fig. B & C)	48
Assemblage (fig. D)	48
<b>Exercices</b> .....	<b>48</b>
Instructions d'entraînement	48
Fréquence cardiaque	49
<b>Usage</b> .....	<b>50</b>
<b>Interface de l'utilisateur (fig. E-1)</b> .....	<b>50</b>
Connexions externes	51
Boutons .	51
Explication des éléments affichés	52
<b>Programmes</b> .....	<b>52</b>
Quick start (démarrage rapide)	52
Mode manuel	53
Achever ou suspendre votre entraînement	53
Programmes préconfigurés (P02~P12)	53
Body Fat (Graisse corporelle)	53
Programme de surveillance de la fréquence cardiaque	54
Bluetooth & APP	54
<b>Garantie</b> .....	<b>55</b>
<b>Nettoyage et maintenance</b> .....	<b>55</b>
Lubrification (fig. F-4)	55
Tapis et surface	56
<b>Defauts de fonctionnement</b> .....	<b>57</b>
<b>Transport et rangement</b> .....	<b>57</b>
Informations supplémentaires	57
<b>Données techniques</b> .....	<b>58</b>
<b>Déclaration du fabricant</b> .....	<b>58</b>
<b>Limite de responsabilité</b> .....	<b>58</b>

## Tapis de course

Bienvenue dans l'univers de Tunturi Fitness !  
 Merci pour votre achat de cet élément d'équipement Tunturi. Tunturi offre toute une gamme d'équipements de fitness professionnels, notamment des vélos elliptiques, tapis de course, vélos d'appartement, rameurs et accessoires. Les équipements Tunturi sont parfaits pour toute la famille, quel que soit le niveau de forme de ses membres. Pour en savoir plus, visitez notre site Web [www.tunturi.com](http://www.tunturi.com)

### Consignes de sécurité importantes

Lisez attentivement ce mode d'emploi avant d'assembler, d'utiliser ou d'effectuer l'entretien de votre appareil sportif. Veuillez conserver ce guide, il contient les renseignements dont vous aurez besoin, maintenant et plus tard, pour utiliser et entretenir votre appareil. Suivez toujours les instructions très rigoureusement.

## Avertissements de sécurité



### AVERTISSEMENT

- Lisez les avertissements de sécurité et les instructions. Le non respect des avertissements de sécurité et des instructions est une source de blessure et de dégâts de l'équipement. Conservez les avertissements de sécurité et les instructions pour référence ultérieure.



### AVERTISSEMENT

- Les systèmes de suivi de la fréquence cardiaque peuvent être inexacts. Un exercice excessif peut entraîner des blessures graves voire mortelles. Si vous vous sentez défaillir, interrompez immédiatement l'exercice.
- L'équipement est uniquement adapté à un usage domestique. L'équipement ne convient pas à un usage commercial.
- La durée d'utilisation maximum est limitée à 3 heures par jour.
- L'emploi de cet équipement par des enfants ou des personnes affectés d'un handicap physique, sensoriel, mental ou moteur, voire dont l'expérience ou les connaissances s'avèrent insuffisantes est une source de risques. Les personnes chargées de leur sécurité doivent leur fournir des instructions explicites ou superviser leur usage de l'équipement.
- Avant de commencer vos exercices, effectuez un bilan de santé auprès d'un médecin.
- Si vous êtes pris de nausées ou de vertiges ou sentez d'autres symptômes normaux pendant l'entraînement, interrompez immédiatement la session et consultez votre médecin.

- Afin d'éviter toutes douleurs et tensions musculaires, commencez vos séances par des échauffements et terminez-les par une récupération. N'oubliez pas de vous étirer après vos exercices.
- L'équipement est uniquement adapté à un usage intérieur. L'équipement ne convient pas à un usage extérieur.
- Utilisez l'équipement uniquement dans des environnements correctement ventilés. N'utilisez pas l'équipement dans des endroits exposés aux courants d'air afin de ne pas vous enrhummer.
- Utilisez l'équipement uniquement à une température ambiante entre 10 °C~35 °C. Rangez l'équipement uniquement à une température ambiante entre 5 °C~45 °C.
- N'utilisez et ne rangez pas l'équipement dans un environnement humide. L'humidité de l'air ne doit jamais dépasser 80 %.
- Utilisez l'équipement uniquement pour son usage prévu. N'utilisez pas l'équipement pour d'autres usages que ceux décrits dans le manuel.
- N'utilisez pas l'équipement si l'une de ses pièces est endommagée ou défectueuse. Si une pièce est endommagée ou défectueuse, contactez votre revendeur.
- Maintenez vos mains, vos pieds et les autres parties de votre corps à l'écart des pièces mobiles.
- Maintenez votre chevelure à l'écart des pièces mobiles.
- Portez des vêtements et des chaussures adaptés.
- Maintenez les vêtements, bijoux et autres objets à l'écart des pièces mobiles.
- Assurez-vous qu'une seule personne utilise l'équipement à la fois. L'équipement ne doit pas être utilisé par des personnes pesant plus de 130 kg (287 lbs).
- N'ouvrez pas l'équipement sans consulter votre revendeur.

## Sécurité électrique

(Uniquement pour les équipements à alimentation électrique)

- Avant usage, assurez-vous toujours que la tension secteur est identique à celle de la plaque signalétique de l'équipement.
- N'utilisez pas de rallonge.
- Maintenez le câble secteur à l'écart de la chaleur, de l'huile et des bords coupants.
- N'altérez et ne modifiez aucunement le câble secteur ou la fiche secteur.
- N'utilisez pas l'équipement si le câble secteur ou la fiche secteur est endommagé ou défectueux. Si le câble secteur ou la fiche secteur est endommagé ou défectueux, contactez votre revendeur.
- Déroulez toujours complètement le câble secteur.
- Ne passez pas le câble secteur sous l'équipement. Ne passez pas le câble secteur sous un tapis. Ne placez aucun objet sur le câble secteur.

- Assurez-vous que le câble secteur ne pend pas sur le bord d'une table. Assurez-vous que le câble secteur ne peut pas être happé par accident ou faire trébucher.
- Ne laissez pas l'équipement sans surveillance si la fiche secteur est insérée dans la prise murale.
- Ne tirez pas sur le câble secteur pour retirer la fiche secteur de la prise murale.
- Retirez la fiche secteur de la prise murale lorsque l'équipement n'est pas utilisé, avant l'assemblage et le démontage et avant le nettoyage et la maintenance.



### AVERTISSEMENT

- Une variation de tension d'au moins dix pour cent (10 %) peut avoir une incidence sur les performances du tapis de course. De telles conditions ne sont pas couvertes par votre garantie. Si vous avez l'impression que la tension est trop basse, vous devez contacter votre compagnie d'électricité ou un électricien qualifié pour tester le circuit électrique.



### AVERTISSEMENT

- NE JAMAIS utiliser une prise murale équipée d'un interrupteur différentiel (RCD - Residual Current Device – version U.S. = GFCI) avec ce tapis de course. Comme avec n'importe quel appareil équipé d'un moteur puissant, le dispositif RCD / GFCI se déclenche souvent. Eloignez de câble d'alimentation de toute pièce mobile du tapis de course, y compris du mécanisme d'inclinaison et des roulettes destinées au transport.

### Instructions de mise à la terre

Ce produit doit être mis à la terre. Si le système électrique du tapis de course présente une défaillance ou une panne, sa mise à la terre fournit un chemin de moindre résistance au courant électrique, réduisant ainsi le risque de décharge électrique. Ce produit est équipé d'un câble pourvu d'une fiche de terre. Cette fiche doit être branchée dans une prise appropriée, correctement installée et mise à la terre conformément aux normes et règlements locaux.



### AVERTISSEMENT

- Un branchement inadéquat du conducteur de terre peut entraîner des risques de décharge électrique. Veuillez consulter un électricien qualifié si vous avez des doutes sur la mise à la terre du produit selon les règles. Ne modifiez pas la fiche fournie avec le produit lorsqu'elle n'entre pas dans la prise ; faites installer une prise adéquate par un électricien qualifié.

## Description (fig. A)

Votre tapis de course est un élément d'équipement de fitness stationnaire servant à imuler la marche ou la course sans exercer de pression excessive sur les jointures.

## Contenu de l'emballage (fig. B & C)

- L'emballage contient les pièces illustrées en fig. B.
- L'emballage contient les fixations illustrées en fig. C. Voir la section "Description".



### NOTE

- Si une pièce manque, contactez votre revendeur.

## Assemblage (fig. D)



### AVERTISSEMENT

- Assemblez l'équipement dans l'ordre indiqué.
- Deux personnes au moins sont nécessaires pour transporter et déplacer l'équipement.



### PRÉCAUTION

- Placez l'équipement sur une surface plane et ferme.
  - Placez l'équipement sur une base protectrice pour éviter d'endommager la surface du sol.
  - Prévoyez un dégagement d'au moins 100 cm autour de l'équipement.
- Consultez les illustrations pour l'assemblage correct de l'équipement.

## Exercices

Un exercice doit être suffisamment léger mais prolongé. L'exercice aérobique repose sur l'amélioration de l'absorption maximum d'oxygène par le corps, améliorant à son tour l'endurance et la forme. Vous devez transpirer mais sans jamais être à bout de souffle durant l'exercice.

Pour atteindre et entretenir un niveau de forme basique, exercez-vous au moins 3 fois par semaine, par session de 30 minutes. Accroissez le nombre des sessions d'exercice pour améliorer votre niveau de forme. Il est profitable de combiner un exercice régulier et un régime sain. Une personne suivant un régime doit s'exercer au quotidien, au début 30 minutes ou moins pour chaque session afin d'accroître ensuite progressivement le temps d'exercice quotidien pour

atteindre une heure. Commencez vos exercices à une vitesse lente et avec une faible résistance pour éviter de soumettre le système cardiovasculaire à une contrainte excessive. À mesure de l'amélioration de votre forme, accroissez progressivement la vitesse et la résistance. L'efficacité de votre exercice est mesurable en suivant votre fréquence cardiaque et votre pouls.

## Instructions d'entraînement

L'utilisation de votre appareil de fitness vous procurera plusieurs avantages : il vous permettra d'améliorer votre forme physique, de tonifier vos muscles et, associé à un régime hypocalorique, de perdre du poids.

### Phase d'échauffement

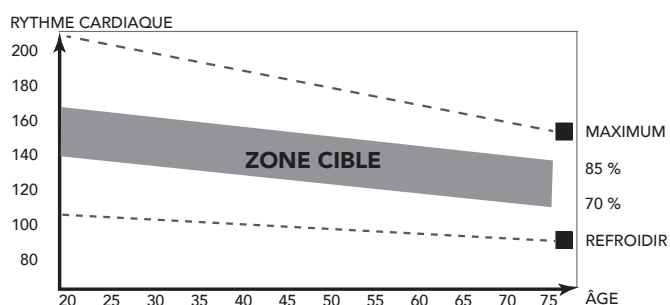
Cette étape favorise la circulation du sang dans tout le corps et le bon fonctionnement des muscles. Elle réduit également le

risque de crampes et de lésions musculaires. Il est conseillé de faire quelques exercices d'étirement, comme ceux qui sont indiqués ci-dessous. Chaque étirement doit être maintenu pendant environ 30 secondes. Ne forcez pas ou n'étirez pas excessivement un muscle.

Si vous sentez qu'une position vous fait mal, ARRÊTEZ.

### Phase d'exercice

C'est l'étape principale de votre entraînement. Après une utilisation régulière de l'appareil, vous sentirez que les muscles de vos jambes ont gagné en souplesse. Il est très important de maintenir un rythme régulier tout au long de la séance. Le rythme de travail doit être suffisant pour faire monter votre rythme cardiaque dans la zone cible indiquée sur le graphique ci-dessous.



Cette étape doit durer au moins 12 minutes, bien que l'on commence généralement à environ 15-20 minutes.

### Phase de refroidissement

Cette étape a pour objectif de laisser votre système cardiovasculaire et vos muscles reprendre leur rythme normal. Il s'agit d'une répétition de l'exercice d'échauffement. Baissez le rythme et continuez pendant environ 5 minutes. Vous devez ensuite refaire les exercices d'étirement et souvenez-vous de ne pas forcer ou trop étirer un muscle dans une certaine position.



À mesure que vous améliorerez votre forme, vous ressentirez peut-être le besoin de vous entraîner plus longtemps ou de faire des entraînements plus poussés. Il est conseillé de s'entraîner au moins trois fois par semaine et, si possible, d'espacer les séances régulièrement tout au long de la semaine.

### Tonification musculaire

Pour tonifier vos muscles à l'aide de l'appareil de fitness, vous devrez sélectionner une résistance assez élevée. Les muscles de vos jambes seront davantage sollicités et vous ne pourrez peut-être pas vous entraîner aussi longtemps que vous le voudriez. Si vous souhaitez également améliorer votre forme, vous devrez modifier votre programme d'entraînement. Entraînez-vous normalement pendant les phases d'échauffement et de refroidissement, mais vers la fin de l'exercice, augmentez la résistance en faisant travailler vos jambes davantage. Vous devrez réduire la vitesse pour maintenir votre rythme cardiaque dans la zone cible.

### Perte de poids

Ici, le facteur important est l'effort que vous déployez. Plus vous entraînez longtemps et de manière soutenue, plus vous brûlerez de calories. C'est en réalité le même principe que pour l'entraînement d'amélioration de la forme ; la différence est l'objectif recherché.

## Fréquence cardiaque

### Mesure du pouls (pulsomètres)

Le pouls est mesuré par des capteurs dans les poignées lorsque l'utilisateur touche les deux capteurs à la fois. La mesure la plus précise du pouls nécessite une peau légèrement humide et un contact constant des pulsomètres. Si la peau est trop sèche ou humide, la mesure du pouls peut devenir moins précise.



#### REMARQUE

- N'utilisez pas les pulsomètres en même temps que la sangle thoracique de fréquence cardiaque.
- Si vous réglez une fréquence cardiaque limite pour votre exercice, une alarme retentit dès qu'elle est dépassée.

### Mesure de la fréquence cardiaque (sangle thoracique de fréquence cardiaque)

La sangle thoracique de fréquence cardiaque assure la mesure de fréquence cardiaque la plus précise. La fréquence cardiaque est mesurée par un récepteur combiné à la sangle thoracique de fréquence cardiaque. Une mesure précise de la fréquence cardiaque nécessite des électrodes de sangle émettrice légèrement humides et en contact constant avec la peau. Si les électrodes sont trop sèches ou humides, la mesure de la fréquence cardiaque peut devenir moins précise.



#### AVERTISSEMENT

- Si vous portez un stimulateur cardiaque, consultez votre médecin avant d'utiliser une sangle thoracique de fréquence cardiaque.



#### PRÉCAUTION

- Si plusieurs dispositifs de mesure de la fréquence cardiaque sont proches les uns des autres, assurez-vous qu'ils sont au moins distants de 2 mètres.
- En présence d'un récepteur unique de fréquence cardiaque pour plusieurs émetteurs, assurez-vous qu'une seule personne avec un émetteur est à portée de transmission.



#### NOTE

- N'utilisez pas les pulsomètres en même temps que la sangle thoracique de fréquence cardiaque.
- Portez toujours la sangle thoracique de fréquence cardiaque sous vos vêtements, en contact direct avec votre peau. Ne portez pas votre sangle thoracique de fréquence cardiaque par-dessus vos vêtements. Si vous portez la sangle thoracique de fréquence cardiaque sur vos vêtements, il n'y a pas de signal.
- Si vous réglez une fréquence cardiaque limite pour votre exercice, une alarme retentit dès qu'elle est dépassée.
- L'émetteur transmet la fréquence cardiaque à une console jusqu'à une distance de 1,5 mètre. Si les électrodes ne sont pas suffisamment mouillées, votre fréquence cardiaque ne s'affiche pas.
- Certaines fibres des vêtements (par ex. polyester, polyamide) créent de l'électricité statique qui peut empêcher la mesure précise de la fréquence cardiaque.
- Les téléphones portables, télévisions et autres appareils électriques créent un champ électromagnétique susceptible d'empêcher une mesure précise de la fréquence cardiaque.

### Fréquence cardiaque maximum (durant l'exercice)

La fréquence cardiaque maximum est la fréquence la plus élevée qu'une personne peut atteindre en toute sécurité sous la contrainte de l'exercice. La formule suivante sert à calculer la fréquence cardiaque maximum moyenne :  $220 - \text{ÂGE}$  La fréquence cardiaque maximum varie d'une personne à l'autre.



#### AVERTISSEMENT

- Assurez-vous de ne pas dépasser votre fréquence cardiaque maximum durant l'exercice. Si vous appartenez à un groupe à risque, consultez un médecin.

**Débutant****50-60% de fréquence cardiaque maximum**

Adapté aux débutants, aux personnes suivant leur poids, aux convalescents et aux personnes ne s'exerçant pas depuis un certain temps. Exercez-vous au moins trois fois par semaine, par session de 30 minutes.

**Avancé****60-70% de fréquence cardiaque maximum**

Adapté aux personnes souhaitant améliorer et entretenir leur forme. Exercez-vous au moins trois fois par semaine, par session de 30 minutes.

**Expert****70-80% de fréquence cardiaque maximum**

Adapté aux personnes les plus en forme, habituées aux exercices d'endurance prolongés.

## Usage

---

### Interrupteur d'alimentation principale (fig. E-2A)

L'équipement comporte un interrupteur d'alimentation principale pour le mettre complètement hors tension.

#### Démarrage de l'équipement:

- Insérez la fiche secteur dans l'équipement.
- Insérez la fiche secteur dans la prise murale.
- Positionnez l'interrupteur d'alimentation principale sur marche (ON).

#### Arrêt de l'équipement :

- Positionnez l'interrupteur d'alimentation principale sur arrêt (OFF).
- Retirez la fiche secteur de la prise murale.
- Retirez la fiche secteur de l'équipement.

#### Clé de sécurité (Fig F-4)

L'équipement comporte une clé de sécurité qui doit être correctement insérée dans la console pour démarrer l'équipement. Si vous retirez la clé de sécurité de la console, l'équipement s'arrête immédiatement.

- Insérez la clé de sécurité dans la fente de la console.
- Assurez-vous que le clip de la clé de sécurité est bien fixé à vos vêtements.  
Assurez-vous que le clip n'est pas retiré de vos vêtements avant que la clé de sécurité ne soit retirée de la console.

#### Disjoncteur (Fig. E-2B)

L'équipement comporte un disjoncteur qui coupe le circuit d'alimentation si la charge électrique dépasse la capacité maximum. En ce cas, vous devez appuyer sur le disjoncteur.



#### AVERTISSEMENT

- Avant d'appuyer sur le disjoncteur, retirez la fiche secteur de l'équipement.

Si l'équipement s'arrête, procédez comme suit pour le redémarrer :

- Retirez la fiche secteur de l'équipement.
- Appuyez sur le disjoncteur pour redémarrer l'équipement.
- Insérez la fiche secteur dans l'équipement.



#### REMARQUE

- Certains disjoncteurs utilisés dans des habitations ne sont pas conçus pour les appels de courant importants qui peuvent se produire lors de la mise en marche d'un tapis de course, voire pendant une utilisation normale. Si votre tapis de course déclenche le disjoncteur (même si la tension est correcte et si le tapis est le seul appareil branché sur le circuit), mais si le disjoncteur du tapis de course ne se déclenche pas, vous devez remplacer le disjoncteur par un type conçu pour des appels de courant importants. Il ne s'agit pas d'un défaut de garantie. C'est une situation qui échappe à notre contrôle en tant que fabricant.

#### Déplier et plier l'équipement (fig. F1-F2)

L'équipement peut être déplié pour son usage (fig. F1) puis replié pour son transport et son rangement (fig. F2).

Consultez les illustrations pour déplier et plier correctement l'équipement.



#### PRÉCAUTION

- Assurez-vous que l'inclinaison du tapis est de 0% avant de plier le plateau. Si l'inclinaison n'est pas de 0%, le mécanisme sera endommagé lors du pliage.

## Interface de l'utilisateur (fig. E-1)

---



#### PRÉCAUTION

- Maintenez la console à l'écart de la lumière directe du soleil.
- Séchez la surface de la console dès qu'elle est couverte de gouttes de sueur.
- Ne vous appuyez pas sur la console.
- Touchez l'affichage uniquement avec le bout du doigt. Assurez-vous de ne pas toucher l'affichage avec vos ongles ou des objets coupants.

**NOTE**

- La console passe en mode de veille si l'équipement n'est pas utilisé pendant 10 minutes.

**Connexions externes****Port USB**

Il convient d'utiliser uniquement le port USB pour la charge.

**Port AUX**

Le port Aux peut être utilisé pour raccorder un appareil média externe et écouter de la musique via les haut-parleurs intégrés.

**REMARQUE**

- Il convient d'utiliser uniquement la console comme un système de haut-parleurs et non pas un lecteur multimédia. Vous devez utiliser un appareil externe comme un smartphone ou une tablette en guise de lecteur multimédia.
- L'utilisation des haut-parleurs de la console pourrait entraîner des problèmes de lecture de fréquence cardiaque.

**Boutons****Start**

- Démarrez l'entraînement sélectionné.
- Relancez l'entraînement en pause lorsque vous êtes en mode pause.

**Stop**

- Il arrête l'entraînement en cours, et réinitialise tous les paramètres.

**Pause**

- Appuyez dessus pour suspendre l'entraînement à tout moment. « PAU » va s'afficher et les données de la course seront enregistrées.

**Incline up**

- Ce bouton augmente l'inclinaison (0~15 ± 0,5).
- En appuyant et en maintenant le bouton enfoncé pendant, l'inclinaison augmentera plus rapidement.
- Changez les valeurs en mode programmation.

**Incline Down**

- Ce bouton augmente l'inclinaison (0~15 ± 0,5).
- En appuyant et en maintenant le bouton enfoncé pendant, l'inclinaison diminuera plus rapidement..
- Changez les valeurs en mode programmation.

**Touches de changement rapide de d'inclinaison.**

Les touches de changement rapide d'inclinaison sont réglées pour amener à: 3, 5 & 7. Par exemple, en poussant sur la touche de changement rapide d'inclinaison 7, l'inclinaison passe directement à 7.

**Speed Up**

- Ce bouton augmente la vitesse (0,8~20 km/h ±0,1km/h).
- En appuyant et en maintenant le bouton enfoncé pendant, la vitesse augmentera plus rapidement.
- Changez les valeurs en mode programmation.

**Speed Down**

- Ce bouton augmente la vitesse (0,8~20 km/h ±0,1km/h).
- En appuyant et en maintenant le bouton enfoncé pendant, la vitesse diminuera plus rapidement.
- Changez les valeurs en mode programmation.

**Touches de changement rapide de vitesse.**

Les touches de changement rapide de vitesse sont réglées pour amener à: 6, 8 & 10 km/h. Par exemple, en poussant sur la touche de changement rapide de vitesse 8, la vitesse passe directement à 8 km/h.

**Mode**

- Sélectionnez le mode compte à rebours en sachant :
 

"Time"	Durée du compte à rebours	30:00
"Distance"	Distance du compte à rebours	1:00
"Calorie"	Calories du compte à rebours	50.0
"Step"	Pas du compte à rebours	5000.
- Manual
- Sélectionnez le mode programme "Manual" (P-1) rapide.

**HRC**

- Sélectionnez le mode programme. "HRC" rapide.

**Interval**

- Sélectionnez le mode programme. "Interval "(P-2) rapide..

**Lose weight**

- Sélectionnez le mode programme. "lose weight" (P-3) rapide.

**Walk**

- Sélectionnez le mode programme. "Walk" (P-4) rapide.

**Run**

- Sélectionnez le mode programme. "Run" (P-5) rapide.

## Explication des éléments affichés

### Speed

- Montre la vraie vitesse du tapis de course en mode entraînement.  
Plage d'affichage : 0.8 ~ 20.0 km/H.

### Pulse

- Le pouls actuel s'affiche après 6 secondes de la détection par la console.  
Compatible sangle de poitrine (5Khz)  
Plage d'affichage : 50 ~ 200 bpm..

### Distance

- Montre la distance courue en mode entraînement.
- Affiche la distance restante en mode compte à rebours. Lorsque l'objectif est atteint, l'écran indique « END ».
- Plage d'affichage : 0.00~99.99 km.  
Lorsque la distance maximale affichée est atteinte, le compte redémarre



#### REMARQUE

- Ce paramètre ne compte que vers le haut / le bas lorsque vous marchez / courez sur le tapis de course. Ceci est dû au système de détection de mouvement intégré.

### Time (Durée)

- Montre la durée courue en mode entraînement.
- Affiche la durée restante en mode compte à rebours. Lorsque l'objectif est atteint, l'écran indique « END ».
- Plage d'affichage : 0:00~18:00 heures.  
Lorsque la durée maximale affichée est atteinte, le compte redémarre.

### Calories

- Montre les calories brûlées en mode entraînement.
- Affiche les calories restantes en mode compte à rebours. Lorsque l'objectif est atteint, l'écran indique « END ».
- Plage d'affichage : 0.0~999 kcal.  
Lorsque les calories maximales affichées sont atteintes, le compte redémarre.



#### REMARQUE

- Ce paramètre ne compte que vers le haut / le bas lorsque vous marchez / courez sur le tapis de course. Ceci est dû au système de détection de mouvement intégré.
- Ces données sont fournies à titre indicatif pour comparer différentes séances d'entraînement. Elles ne doivent pas être utilisées dans le cadre d'un traitement médical.

### Incline (Pente )

- Indique la pente réelle du tapis de course en mode entraînement.  
Plage d'affichage : 0.0~15 (marches)

### Pace (Allure)

- Est affichée en fonction de la vitesse actuelle pour parcourir 1 km en minutes.



#### REMARQUE

- Ce paramètre ne compte que vers le haut / le bas lorsque vous marchez / courez sur le tapis de course. Ceci est dû au système de détection de mouvement intégré.

### Steps (Pas)

- Montre les pas de course actuels.
- Affiche les pas restants en mode compte à rebours. Lorsque l'objectif est atteint, l'écran indique « END ».
- Plage d'affichage : 0~99999 pas.  
Lorsque les calories maximales affichées sont atteintes, le compte redémarre.



#### REMARQUE

- Ce paramètre ne compte que vers le haut / le bas lorsque vous marchez / courez sur le tapis de course. Ceci est dû au système de détection de mouvement intégré.

### Matrice

- Affiche la vitesse de la course et le profil de pente du programme sélectionné.  
Chaque bloc de fenêtre de vitesse équivaut à 2 km/h.  
Chaque bloc de fenêtre de pente équivaut à 2 marches.

## Programmes

### Quick start (démarrage rapide)

- Appuyez sur le bouton « START » pour commencer votre entraînement sans configurer aucun paramètre au préalable.
- Le tapis de course démarrera à la vitesse minimale de 0,8 km/h après un compte à rebours de 3 secondes, sans aucun objectif configuré au préalable.
- Ajustez manuellement la vitesse/pente à tout moment pour modifier votre entraînement, et arrêtez/interrompez quand vous voulez.

## Mode manuel

- Appuyez sur le bouton « PROGRAMS » pour ouvrir le mode programmation.
- Appuyez sur les boutons « PROGRAMS » pour sélectionner le Prog 01 ou appuyez sur le bouton « MANUAL » pour une sélection rapide.
- Appuyez sur les boutons « SPEED/INCLINE » pour définir la durée d'entraînement recherchée. La durée d'entraînement par défaut est de 30:00 minutes.  
Plage 5:00~99:00 min.
- Appuyez sur le bouton « START » pour démarrer votre entraînement ou...
- Appuyez sur le bouton « MODE » pour modifier la vitesse et la pente prédéfinies de chaque segment de programme.
- Appuyez sur le bouton « SPEED » pour paramétrer la vitesse.  
Appuyez sur les boutons « INCLINE » pour définir la pente.  
Appuyez sur le bouton « MODE » pour confirmer et aller à l'étape suivante de la programmation dans le profil de programme. .
- Répétez les actions ci-dessus pour configurer les autres étapes (16 étapes au total).
- Appuyez sur le bouton « START/STOP » pour démarrer le programme.



### REMARQUE

- En mode entraînement, vous pouvez vous servir des touches « SPEED/INCLINE » pour régler la vitesse et/ou la pente du segment actif d'entraînement du profil de course.
- Lorsque la durée prédéfinie d'entraînement est achevée, l'écran affiche « END » et l'exercice s'arrête.

## Achever ou suspendre votre entraînement

- Suspendez à tout moment votre entraînement en appuyant une fois sur le bouton « Pause ».
- Appuyez sur le bouton « START » pour reprendre l'entraînement en mode pause.
- Appuyez sur le bouton « STOP » pour arrêter l'entraînement et réinitialiser la console.

## Programmes préconfigurés

### (P02~P12)

L'équipement a 12 programmes prédéfinis avec différents profils (Fig G).

- Appuyez sur le bouton « PROGRAM » pour ouvrir le mode programmation, continuez à appuyer dessus pour sélectionner le programme P 02~P 12.
- Appuyez sur les boutons « MODE » pour sélectionner votre objectif d'entraînement :  
Durée : par défaut 30:00  
Distance : par défaut 1.00  
Calories : par défaut 50.0  
Pas : par défaut 5000  
Appuyez sur les boutons « SPEED/INCLINE » pour définir votre objectif d'entraînement.  
Appuyez sur le bouton « START » pour commencer votre entraînement.

## Body Fat (Graisse corporelle)

Le programme de graisse corporelle est un programme indiquant votre état physique, en se basant sur vos paramètres corporels et votre rythme cardiaque.

- Maintenez enfoncé le bouton « PROGRAM » pour sélectionner le mode programmation « FAT » (graisse corporelle).
- Appuyez sur le bouton « MODE » pour confirmer et ouvrir le mode de programmation.
- L'écran indique « F-1 » :  
Mode de réglage du sexe : 01 = homme / 02 = femme  
Appuyez sur les boutons « SPEED/INCLINE » pour définir le sexe, puis appuyez sur le bouton « MODE/ENTER » pour confirmer.
- L'écran indique « F-2 » :  
Mode de réglage de l'âge : 10~99 ans  
Appuyez sur les boutons « SPEED/INCLINE » pour définir l'âge, puis appuyez sur le bouton « MODE/ENTER » pour confirmer.
- L'écran indique « F-3 » :  
Mode de réglage de la taille : 100~200 cm  
Appuyez sur les boutons « SPEED/INCLINE » pour définir la taille, puis appuyez sur le bouton « MODE/ENTER » pour confirmer.
- L'écran indique « F-4 » :  
Mode de réglage du poids : 20~150 kg  
Appuyez sur les boutons « SPEED/INCLINE » pour définir le poids, puis appuyez sur le bouton « MODE/ENTER » pour confirmer.
- L'affichage indique « F-5 » :  
Tenez les deux plaques du capteur de pouls pour démarrer la mesure.  
En mode actif, l'écran indique « - - - - ».



### ATTENTION

- Il faut tenir les coussinets de poignée mesurant la fréquence cardiaque pour cette fonction.

### Résultat du test graisse corporelle

<20	Trop mince
20~25	Normal
26~29	Légèrement en surpoids
>29	En surpoids

### Programme de surveillance de la fréquence cardiaque

- Appuyez continuellement sur le bouton « MODE » jusqu'à ce que HRC apparaisse dans la fenêtre « DISTANCE ».
- Maintenez enfoncé le bouton « MODE » pendant 3 secondes pour passer en mode réglage de l'âge (âge par défaut = 30)  
Réglez l'âge à l'aide des boutons « SPEED/ INCLINE » et appuyez sur le bouton « MODE » pour confirmer.
- La console affichera la fréquence cardiaque cible recommandée en fonction de votre âge ; vous pouvez l'ajuster à l'aide des boutons « SPEED/ INCLINE », puis en appuyant sur le bouton « MODE » pour confirmer.
- La console affichera la vitesse maximale ; vous pouvez l'ajuster à l'aide des boutons « SPEED/ INCLINE », puis en appuyant sur « MODE » pour confirmer.



#### REMARQUE

- L'appareil d'entraînement ne dépassera pas la vitesse maximale pré-réglée au cours de cet exercice programmé.
- La console affichera la durée de l'exercice (par défaut = 10:00) Réglez la durée à l'aide des boutons « SPEED/INCLINE » et appuyez sur le bouton « MODE » pour confirmer.
- Appuyez sur le bouton « START » pour commencer votre entraînement.

### Avancement du programme

L'exercice commence à 3,0 km/h et le système décèlera votre fréquence cardiaque toutes les 20 secondes.

- Si la fréquence cardiaque relevée est inférieure à 90 % de la fréquence cible, la vitesse sera augmentée de 1,0 km/h.

- Si la fréquence cardiaque relevée est inférieure à 95% de la fréquence cible, la vitesse sera augmentée de 0,5km/h.
- Si la fréquence cardiaque relevée est inférieure à 97% de la fréquence cible, la vitesse sera augmentée de 0,3km/h.
- Si la fréquence cardiaque relevée est comprise entre 97 % et 103 % de la fréquence cible, la vitesse ne changera pas.
- Si la fréquence cardiaque relevée est supérieure à 110 % de la fréquence cible, la vitesse sera diminuée de 1,0 km/h.
- Si la fréquence cardiaque relevée est supérieure à 105 % de la fréquence cible, la vitesse sera diminuée de 0,5 km/h.
- Si la fréquence cardiaque relevée est supérieure à 103% de la fréquence cible, la vitesse sera diminuée de 0,3km/h.
- Si la fréquence cardiaque relevée est comprise entre 97 % et 103 % de la fréquence cible, la vitesse ne changera pas.
- Si la vitesse maximale est atteinte alors que la fréquence cardiaque est supérieure à 103 % ou inférieure à 97 % de la fréquence cible, le système augmente ou diminue la pente de 1 marche jusqu'à ce que la fréquence soit comprise entre 97 % et 103 %.
- S'il n'y a pas de fréquence cardiaque pendant plus de 30 secondes, le système affichera « NO HR », et si 20 secondes plus tard, aucun signal n'est encore détecté, le tapis de course s'arrêtera.



#### REMARQUE

- Lorsque l'entraînement HRC est achevé, toutes les valeurs pré-réglées du programme HRC seront réinitialisées aux valeurs par défaut.

### Bluetooth & APP

- Cette console peut être connectée à APP sur l'appareil intelligent via Bluetooth. (iOS & Android)
- Établissez la connexion Bluetooth uniquement via le mode de connexion sur l'application installée sur votre périphérique intelligent.



#### NOTE

- Tunturi vous fournit seulement la possibilité de raccorder votre console de fitness via une connexion Bluetooth. Par conséquent, Tunturi ne peut être tenu responsable des dommages ou du mauvais fonctionnement des produits autres que ceux de Tunturi.
- Consultez le site Web pour plus d'informations.

## Garantie

### Garantie du propriétaire d'un équipement de Tunturi

#### Conditions de garantie

Le consommateur dispose des droits légaux accordés par la législation nationale applicable au commerce des produits de consommation courante et cette garantie ne limite ces droits en aucun cas. La « Garantie du propriétaire » est valable uniquement si l'équipement est utilisé dans l'environnement correspondant à celui déterminé par Tunturi New Fitness BV. L'environnement d'utilisation de chaque appareil est mentionné dans le mode d'emploi fourni avec l'appareil en question.

#### Conditions de garantie

Les conditions de garantie sont applicables à compter de la date d'achat et peuvent varier selon les pays. Demandez conseil à votre revendeur.

#### Étendue de la garantie

En aucun cas Tunturi New Fitness BV, le revendeur ou le distributeur Tunturi ne répondra des éventuels dommages spéciaux, indirects, secondaires ou consécutifs, de quelque nature que ce soit, liés à l'utilisation de ou à l'inaptitude à utiliser cet équipement.

#### Restrictions de garantie

La garantie couvre les défauts de fabrication et de matériaux dans un équipement d'origine, sorti d'usine et conditionné par Tunturi New Fitness BV. La garantie couvre uniquement les défauts apparaissant lors d'une utilisation normale et conforme aux instructions du manuel du propriétaire, à condition que les instructions de montage, de maintenance et d'utilisation établies par Tunturi New Fitness BV aient été respectées. Tunturi New Fitness BV et les revendeurs Tunturi ne répondent pas des défauts occasionnés par des conditions indépendantes de leur volonté. La garantie est applicable uniquement au premier acheteur et est valable uniquement dans les pays où Tunturi New Fitness BV dispose d'un distributeur agréé. La garantie ne s'étend pas aux équipements de fitness ou aux pièces qui ont été modifiées sans l'autorisation de Tunturi New Fitness BV. La garantie ne s'applique pas aux défauts provenant d'une usure normale, d'une utilisation inadaptée, d'une utilisation dans des conditions non prévues par le fabricant, de la corrosion ou d'un dommage intervenu lors du chargement ou du transport.

La garantie ne couvre pas les sons ou les bruits émis par l'équipement s'ils ne gênent pas son utilisation et s'ils ne sont pas provoqués par un dysfonctionnement.

La garantie ne couvre pas non plus les mesures de maintenance, telles que le nettoyage, la lubrification ou la vérification normale des pièces, ni les actions que le client peut effectuer lui-même et qui n'exigent pas

particulièrement de monter/ démonter l'équipement. Ces actions sont par exemple le changement des compteurs, des pédales ou autres pièces similaires faciles à changer. Seules les réparations sous garantie effectuées par un revendeur ou par le distributeur agréé Tunturi seront prises en charge. Le non-respect des instructions décrites dans le Manuel de l'Utilisateur entraînera l'annulation de la garantie.

## Nettoyage et maintenance



### AVERTISSEMENT

- Avant le nettoyage et la maintenance, retirez la fiche secteur de la prise murale.
  - N'utilisez aucun solvant pour nettoyer l'équipement.
- Ne bloquez pas les ouvertures de ventilation. Débarrassez les ouvertures de ventilation de toute poussière, salissure ou obstruction.
  - Nettoyez l'équipement avec un chiffon doux et absorbant après chaque usage.
  - Nettoyez les parties visibles de l'équipement avec un aspirateur doté d'un petit suceur.
  - Vérifiez régulièrement le serrage de tous les écrous et vis.

## Lubrification (fig. F-4)

L'état de lubrification du tapis de course doit régulièrement être vérifié. C'est pourquoi le tapis de course est muni d'une fonction de rappel toutes les 300 heures. La « TIME WINDOW » affichera « OIL » et diffusera un bip toutes les 10 secondes pour vous le rappeler. Suivez la procédure de vérification ci-dessous et supprimez le message « OIL » ainsi que le signal sonore en maintenant enfoncé le bouton « START » pendant au moins 3 secondes pendant le signal d'alarme.



### PRÉCAUTION

- Nous vous recommandons de vérifier le graissage de la bande en cours d'exécution au moins une fois par mois, car davantage de facteurs que le temps peuvent être déterminants pour l'état du lubrifiant.
- Lubrifiez le tapis roulant uniquement si c'est nécessaire. Une lubrification excessive peut faire patiner le tapis roulant du fait du manque de friction.



### AVERTISSEMENT

- Avant la lubrification, retirez la fiche secteur de la prise murale.

- Tenez-vous fermement sur le tapis roulant.
- Serrez le guidon avant et poussez le tapis roulant avec vos pieds afin de lui imprimer un mouvement avant-arrière. Le tapis roulant doit rouler régulièrement et silencieusement.
- Si le tapis roulant ne roule pas régulièrement et silencieusement ou s'il ne roule pas du tout, touchez la partie inférieure du tapis roulant avec vos doigts pour vérifier la lubrification.
  - Si vous sentez le lubrifiant ou si vos doigts sont brillants, le tapis est suffisamment lubrifié.
  - Si vous ne sentez pas le lubrifiant ou si vos doigts sont poussiéreux ou rugueux, appliquez du lubrifiant (15 à 20 ml) au milieu du plateau roulant sous le tapis roulant et laissez l'équipement fonctionner à 5 km/h durant au moins 5 minutes.
  - Après la lubrification, ne repliez pas l'équipement sans effectuer une session de 20 minutes à une vitesse d'au moins 5 km/h. Le lubrifiant se répartit uniformément ainsi sur tout le tapis roulant.

## Tapis et surface

Votre tapis de course utilise une couche très efficace à faible friction. Les performances seront meilleures si la surface est régulièrement nettoyée. Utilisez un chiffon doux et humide ou une serviette en papier pour essuyer le bord du tapis et la zone entre le bord du tapis et le châssis. Allez aussi loin que possible sous le bord du tapis. Ce nettoyage doit être fait une fois par mois afin de prolonger la durée de vie du tapis et de la surface. Utilisez uniquement de l'eau - jamais de produits de nettoyage ou d'abrasifs. Nettoyez le dessus du tapis texturé avec une eau savonneuse douce et une brosse en nylon. Laissez sécher le tapis avant de l'utiliser.

### Poussière de tapis

Le tapis dégage de la poussière lors d'un rodage normal jusqu'à ce que le tapis se stabilise. Essuyez la poussière à l'aide d'un chiffon humide pour éviter qu'elle s'accumule.

### Nettoyage général

Les saletés, la poussière et les poils d'animaux peuvent bloquer les entrées d'air et s'accumuler sur le tapis. Tous les mois : passez l'aspirateur sous le tapis de course pour éviter l'accumulation. Retirez le capot noir du moteur deux fois par an et aspirez les saletés qui peuvent s'y accumuler.  
DEBRANCHEZ L'APPAREIL AVANT LE NETTOYAGE.

- Serrez les boulons du rouleau arrière (dans le sens des aiguilles d'une montre) juste assez pour empêcher que le tapis patine sur le rouleau avant. Tournez les deux boulons de réglage de la tension du tapis par incréments d'un quart de tour et contrôlez la tension en marchant lentement sur le

tapis et en vous assurant que celui-ci ne patine pas. Continuez à serrer les boulons jusqu'à ce que le tapis cesse de patiner.

- Si vous avez l'impression que le tapis est assez serré mais patine encore, le problème provient peut-être d'une courroie de transmission lâche sous le capot avant.
- Ne serrez pas trop: Un serrage excessif peut endommager le tapis et entraîner une défaillance prématurée des roulements.

### Centrage du tapis :

Le niveau de performance de votre tapis de course dépend de la planéité de la surface sur laquelle il fonctionne. Lorsque le châssis n'est pas horizontal, le rouleau avant et le rouleau arrière ne peuvent pas rester parallèles et le tapis devra être centré sans cesse.

Cet appareil est conçu de façon à ce que le tapis reste raisonnablement centré lorsqu'il est en service. Il est normal que certains tapis ont tendance à dériver lorsque personne ne se trouve dessus. Après quelques minutes, le tapis devrait se centrer automatiquement. Si le tapis continue à dériver, il faudra le centrer.

### EXCEPTION:

Lors d'une rééducation, pendant laquelle l'utilisateur marche sur une jambe plus forte que l'autre, il se peut que le tapis dérive. Dans de tels cas, vous ne devez pas centrer le tapis, à moins que le tapis ne se centre pas automatiquement dans des conditions d'utilisation normales.

### Pour centrer le tapis (fig. F-5)

Une clé hexagonale coudée de 10 mm est fournie pour régler le rouleau arrière. Le réglage doit être effectué uniquement du côté gauche. Réglez la vitesse du tapis sur environ 3 à 5 km/h.

Rappelez-vous : un petit ajustement peut faire une différence considérable !

Tournez le boulon dans le sens des aiguilles d'une montre pour déplacer le tapis vers la droite et dans le sens inverse pour le déplacer vers la gauche. Tournez le boulon seulement un quart de tour à la fois et attendez quelques minutes jusqu'à ce que le tapis se déplace. Continuez à faire des quarts de tour jusqu'à ce que le tapis se stabilise au centre.

Il se peut que vous deviez centrer le tapis de temps en temps en fonction de l'utilisation et de votre façon de marcher/de courir. Pour certains utilisateurs, le centrage se fera d'une façon différente. Attendez-vous à procéder aux ajustements nécessaires au centrage du tapis. Au fur et à mesure que le tapis est utilisé, ces ajustements vous causeront moins de soucis. Il est de la responsabilité de tout propriétaire de bien centrer son tapis de course.



**NOTE**

- Les dommages causés au tapis résultant d'un mauvais centrage / réglage de la tension ne sont pas couverts par la garantie.

## Defauts de fonctionnement

En dépit d'un contrôle continu de la qualité, l'appareil peut présenter des défauts ou des anomalies de fonctionnement provenant de certains de ses composants. Dans ce cas, il n'est pas cependant nécessaire d'aller faire réparer votre appareil, le problème pouvant bien souvent être résolu par simple changement de la pièce défectueuse.

Contactez votre distributeur au cas où vous remarqueriez un défaut ou un mauvais fonctionnement de votre l'appareil ou si vous avez besoin de pièces de rechange. Indiquez-lui la nature du problème, les conditions d'utilisation, la date d'achat, le modèle et le numéro de série.

Vous trouverez la liste des pièces détachées à la fin de ce mode d'emploi. Seules des pièces mentionnées dans la liste des pièces de rechange peuvent être utilisées dans l'appareil.

### Codes d'erreur

Si l'affichage indique un code d'erreur ("E"/ "DC" + un nombre), redémarrez l'équipement et vérifiez si le code d'erreur s'affiche toujours. Si le code d'erreur persiste, contactez immédiatement le revendeur.

## Transport et rangement

**AVERTISSEMENT**

- Avant le nettoyage et la maintenance, retirez la fiche secteur de la prise murale.
- Deux personnes au moins sont nécessaires pour transporter et déplacer l'équipement.
- Assurez-vous que rien, ni personne ne se trouve sous l'équipement.
- En pliant l'équipement, assurez-vous de l'entendre se verrouiller en position afin qu'il ne se déplie pas inopinément.

**PRÉCAUTION**

- Avant de plier l'équipement, assurez-vous que l'inclinaison est à 0 %. Si l'inclinaison n'est pas à 0 %, le pliage va endommager le mécanisme.
- Déplacez l'équipement comme illustré (fig. F3). Déplacez l'équipement et reposez-le prudemment. Placez l'équipement sur une base protectrice pour éviter d'endommager la surface du sol. Déplacez prudemment l'équipement sur les surfaces irrégulières. Ne déplacez pas l'équipement sur ses roues pour monter des escaliers mais transportez-le par les guidons.
- Rangez l'équipement à la verticale (fig. F1). Rangez l'équipement dans un endroit sec exposé à des variations de température minimales.

## Informations supplémentaires

### Élimination des emballages

Les réglementations gouvernementales nous demandent de réduire la quantité de matériaux déposés dans les décharges. C'est pour cela que nous faisons appel à votre responsabilité et vous demandons de déposer les emballages dans des centres de recyclage publics.

### Élimination du produit

Chez Tunturi, nous espérons que vous profiterez longtemps de votre appareil de fitness. Cependant, nous savons bien qu'un jour ou l'autre votre machine arrivera au terme de sa vie utile. Selon la directive européenne sur les DEEE, vous êtes responsable de vous séparer correctement de votre appareil de fitness en le déposant dans un site public agréé de récupération des déchets.

## Données techniques

Paramètre	Unité de mesure	Valeur
Tension secteur	VCA	220~240
Fréquence secteur	Hz	50-60
Moteur	CV	3.5
Vitesse	km/h	0.8~20
Inclinaison	Pas	0~20
Récepteur de fréquence cardiaque télémétrique	La fréquence	5.0 Khz.
Longueur	cm	180
Largeur	cm	89
Hauteur	cm	151
Poids	kg	90
Poids maxi. utilisateur	kg	130

## Déclaration du fabricant

Tunturi Fitness BV déclare que le produit est conforme aux directives et normes suivantes : EN 957 (HB), 89/336/CEE. Ce produit porte donc la marque CE.

12-2018

Tunturi New Fitness BV  
Purmerweg 1  
1311 XE Almere  
Pays-Bas

## Limite de responsabilité

© 2018 Tunturi New Fitness BV  
Tous les droits réservés.

Le produit et le manuel sont sujets à modifications. Les spécifications peuvent changer sans préavis.

## Nederlands

Deze Nederlandse handleiding is een vertaling van de Engelse tekst. Aan deze vertaling kunnen geen rechten ontleend worden. De originele Engelse tekst blijft leidend.

## Inhoud

<b>Loopband</b> .....	<b>59</b>
<b>Veiligheidswaarschuwingen</b> .....	<b>59</b>
Elektrische veiligheid	60
Beschrijving (Fig. A)	60
Inhoud van de verpakking (Fig. B & C)	61
Assemblage (Fig. D)	61
<b>Trainingen</b> .....	<b>61</b>
Instructies	61
Hartslag .	62
<b>Gebruik</b> .....	<b>63</b>
<b>Monitor (fig. E-1)</b> .....	<b>63</b>
Externe aansluitingen	63
Knoppen	64
Uitleg van de items op het display	64
<b>Programma's</b> .....	<b>65</b>
Snelle start	65
Manual (handmatig)	65
Uw workout beëindigen of onderbreken	66
Voorgeprogrammeerde programma's (P02~P12)	66
Body Fat	66
HRC-programma	66
Bluetooth & APP	67
<b>Garantie</b> .....	<b>67</b>
<b>Reiniging en onderhoud</b> .....	<b>68</b>
Smeren (fig. F-4)	68
Band en loopvlak	68
<b>Gebruiksstorings</b> .....	<b>69</b>
<b>Transport en opslag</b> .....	<b>70</b>
Aanvullende informatie	70
<b>Technische gegevens</b> .....	<b>70</b>
<b>Verklaring van de fabrikant</b> .....	<b>70</b>
<b>Disclaimer</b> .....	<b>70</b>

## Loopband

Welkom in de wereld van Tunturi Fitness!

Hartelijk dank voor uw aankoop van dit Tunturi-toestel. Tunturi biedt een grote verscheidenheid aan professionele toestellen zoals crosstrainers, loopbanden, fietstrainers, roeimachines en accessoires. Het Tunturi-toestel is geschikt voor de hele familie, onafhankelijk van de conditie. Meer informatie vindt u op de website [www.tunturi.com](http://www.tunturi.com)

### Belangrijke Informatie

Deze gids is een essentieel onderdeel van uw Tunturi looptrainer. Lees deze gids zorgvuldig door vóórdat u begint met monteren, gebruiken of onderhouden van uw looptrainer. Bewaar de gids op een handige plaats. U kunt er, nu en in de toekomst, nuttige informatie uithalen die u nodig heeft voor het gebruik en het onderhoud van de apparatuur. Volg de instructies altijd met zorg op.

## Veiligheidswaarschuwingen



### WAARSCHUWING

- Lees de veiligheid-waarschuwingen en de instructies. Het niet opvolgen van de veiligheid-waarschuwingen en de instructies kan persoonlijk letsel of beschadiging van het toestel veroorzaken. Bewaar de veiligheid-waarschuwingen en instructies voor toekomstig gebruik.



### WAARSCHUWING

- Hartslag-bewakingssystemen kunnen onnauwkeurig zijn. Overmatig trainen kan leiden tot ernstig letsel of de dood. Als u zich duizelig voelt, stop dan onmiddellijk met trainen.
- Het toestel is uitsluitend geschikt voor huishoudelijk gebruik. Het toestel is niet geschikt voor commercieel gebruik.
- Het maximum gebruik is beperkt tot 3 uur per dag
- Het gebruik van dit toestel door kinderen of personen met fysieke, sensorische, geestelijke of motorische handicaps, of met gebrek aan ervaring en kennis kan gevaar veroorzaken. De personen die verantwoordelijk zijn voor hun veiligheid moeten uitdrukkelijke instructies geven of toezicht houden op het gebruik van het toestel.
- Laat uw gezondheid door een arts controleren voordat u met uw training begint.
- Als u misselijkheid, duizeligheid of andere abnormale symptomen ervaart, stop dan onmiddellijk met uw training en raadpleeg een arts.

- Om spierpijn en te zware belasting te voorkomen, moet u elke training beginnen met een warming-up en eindigen met een cooling-down. Vergeet niet om uw spieren te strekken aan het einde van de training.
- Het toestel is uitsluitend geschikt voor gebruik binnenshuis. Het toestel is niet geschikt voor gebruik buitenshuis.
- Gebruik het toestel alleen in een omgeving met voldoende ventilatie. Gebruik het toestel niet in een tochtige omgeving om geen kou te vatten.
- Gebruik het toestel alleen in een omgeving met een omgevingstemperatuur tussen 10 °C~35 °C. Berg het toestel alleen op bij een omgevingstemperatuur tussen 5 °C~45 °C.
- Gebruik het toestel niet in een vochtige omgeving. Berg het toestel niet op in een vochtige omgeving. De luchtvochtigheid mag nooit meer zijn dan 80%.
- Gebruik het toestel alleen voor het doel waarvoor het gemaakt is. Gebruik het toestel niet voor andere doelstellingen dan beschreven in de handleiding.
- Gebruik het toestel niet als een onderdeel is beschadigd of niet goed werkt. Raadpleeg uw dealer als een onderdeel is beschadigd of niet goed werkt.
- Houd uw handen, voeten en andere lichaamsdelen uit de buurt van de bewegende delen.
- Houd uw haar uit de buurt van de bewegende delen.
- Draag geschikte kleding en schoenen.
- Houd kleding, sieraden en andere voorwerpen uit de buurt van de bewegende delen.
- Zorg ervoor dat het toestel slechts door één persoon tegelijk wordt gebruikt. Het toestel mag niet worden gebruikt door personen die meer dan 130 kg (287 lbs) wegen.
- Maak het toestel niet open zonder eerst uw dealer te raadplegen.

## Elektrische veiligheid

(Uitsluitend voor toestellen met elektrisch vermogen)

- Controleer voor gebruik altijd of de netspanning gelijk is aan de spanning op het typeplaatje van het toestel.
- Gebruik geen verlengsnoer.
- Houd het snoer uit de buurt van warmte, olie en scherpe randen.
- Verander of wijzig het snoer of de stekker niet.
- Gebruik het toestel niet als het snoer of de stekker beschadigd is of niet goed werkt. Als het snoer of de stekker is beschadigd of niet goed werkt, raadpleeg dan uw dealer.
- Rol het snoer altijd helemaal uit.
- Laat het snoer niet onder het toestel door lopen. Laat het snoer niet onder een kleed door lopen. Plaats geen voorwerpen op het snoer.

- Zorg ervoor dat het snoer niet over de rand van een tafel hangt. Zorg ervoor dat niemand per ongeluk achter het snoer kan blijven haken of erover kan struikelen.
- Laat het toestel niet onbewaakt achter wanneer de stekker in het stopcontact zit.
- Trek niet aan het snoer als u de stekker uit het stopcontact wilt halen.
- Verwijder de stekker uit het stopcontact wanneer het toestel niet in gebruik is, vóór montage of demontage en vóór reiniging en onderhoud.



### WAARSCHUWING

- Als het voltage varieert met tien (10) procent, kan dit de prestaties van de loopband negatief beïnvloeden. Dergelijke omstandigheden vallen niet onder de garantie. Als u vermoedt dat het voltage te laag is, neemt u contact op met het lokale energiebedrijf of een bevoegd elektricien voor het uitvoeren van een test.



### WAARSCHUWING

- Gebruik NOOIT een overspanning-beveiliging met deze loopband. Net als bij elk apparaat met een grote motor zal de overspanning-beveiliging vaak worden geactiveerd. Houd het stroom snoer uit de buurt van bewegende onderdelen van de loopband, inclusief het helling-mechanisme en de transportwielletjes.

## Aardingsinstructies

Dit product moet worden geaard. Als het elektrische systeem van de loopband niet goed/niet meer werkt, vormt aarding een pad van minste weerstand voor elektrische stroom, waardoor het risico van een elektrische schok afneemt. Dit product is voorzien van een koord met een aardingsstekker. De stekker moet in een geschikt stopcontact worden geplaatst dat op juiste wijze is gemonteerd en geaard in overeenstemming met alle lokale normen en verordeningen.



### WAARSCHUWING

- Onjuiste aansluiting van de aardingsgeleider kan resulteren in risico van een elektrische schok. Neem contact op met een bevoegd elektricien of onderhoudsmonteur als u niet zeker weet of het product goed is geaard. Pas de stekker die met het product wordt geleverd niet aan wanneer het niet in het stopcontact past. Laat een geschikt stopcontact installeren door een bevoegd elektricien.

## Beschrijving (Fig. A)

Uw loopband is een stationair fitnessstoestel dat wordt gebruikt voor het nabootsen van lopen of hardlopen zonder dat de gewrichten te veel belast worden.

## Inhoud van de verpakking (Fig. B & C)

- De verpakking bevat de onderdelen zoals aangegeven in fig. B.
- De verpakking bevat de bevestigingsmiddelen zoals aangegeven in fig. C. Raadpleeg het gedeelte "Beschrijving".



### LET OP

- Raadpleeg uw dealer als een onderdeel ontbreekt.

## Assemblage (Fig. D)



### WAARSCHUWING

- Monteer het apparaat in de aangegeven volgorde.
- Draag en verplaats het toestel met minstens twee personen.



### VOORZICHTIG

- Zet het toestel op een stevige, vlakke ondergrond.
  - Zorg voor een beschermende laag onder het toestel om schade aan het vloeroppervlak te voorkomen.
  - Houd rondom de apparatuur ten minste een bewegingsruimte van 100 cm.
- Raadpleeg de illustraties voor de juiste assemblage van het toestel.

## Trainingen

De training moet licht genoeg zijn, maar wel langdurig. Aerobische training is gebaseerd op verbetering van de maximale zuurstofopname van het lichaam, die dan het uithoudingsvermogen en de conditie weer verbetert. U moet tijdens de training wel transpireren, maar u mag niet buiten adem raken.

Voor het bereiken en in stand houden van een basisconditie moet u minstens drie keer per week steeds 30 minuten trainen. Verhoog het aantal trainingssessies ter verbetering van uw conditie. Het is de moeite waard om regelmatige lichaamsbeweging met gezonde voeding te combineren. Iemand die zich goed aan een dieet houdt, zou elke dag moeten trainen te beginnen met 30 minuten of korter, en de dagelijkse trainingduur geleidelijk opvoeren tot één uur. Begin uw training bij een lage snelheid en een lage weerstand om te voorkomen dat uw hart en bloedvaten

te sterk belast worden. Naarmate uw conditie verbetert, kunnen snelheid en weerstand geleidelijk worden verhoogd. De doelmatigheid van uw training kan worden gemeten door uw hartslag.

## Instructies

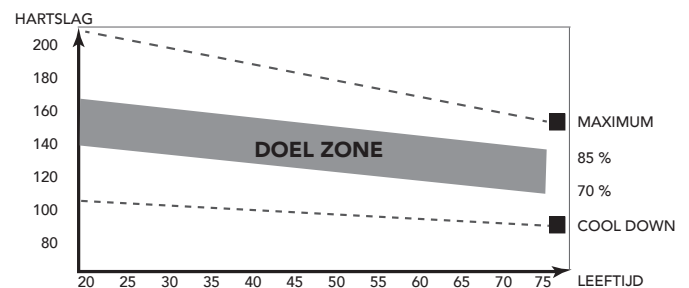
Het gebruik van dit fitness apparaat biedt meerdere voordelen: u verbetert uw fysieke conditie, u versterkt uw spieren en u valt in combinatie met een caloriearm dieet af.

### De warming-up

In deze fase wordt uw bloedsomloop gestimuleerd voor een juiste werking van de spieren. Tevens wordt het risico op kramp en spier-letsel verminderd. Wij raden u aan enkele stretch oefeningen te doen, zoals hieronder beschreven. Houd elke stretch oefening ongeveer 30 seconden vol. Forceer uw spieren niet bij het stretchen. STOP als het pijn doet

### De training fase

Dit is de fase waarin u de meeste inspanning levert. Na regelmatig gebruik worden de spieren in uw benen flexibeler. Het is in deze fase zeer belangrijk dat u een gelijkmatig tempo aanhoudt. De snelheid moet voldoende zijn om uw hartslag te laten stijgen naar de doel zone die in de onderstaande grafiek te zien is.



Deze fase moet minimaal 12 minuten duren, maar de meeste mensen beginnen met ongeveer 15-20 minuten.

### De cooling down

In deze fase ontspant u uw cardiovasculaire systeem en spieren. Dit is een herhaling van de warming-up training. Verlaag dus uw tempo en ga ongeveer 5 minuten door. Herhaal nu de stretch-oefeningen. Forceer uw spieren niet tijdens het stretchen. Naarmate u fitter wordt, moet u langer en harder trainen. Het is raadzaam minstens drie keer per week te trainen en zo nodig uw oefeningen gelijkmatig over de week te verspreiden.

### Spierversteviging

Als u uw spieren wilt verstevigen met behulp van dit fitnessapparaat, stelt u de weerstand in op hoog. Zo komt er meer spanning op uw beenspieren. Mogelijk kunt u niet zo lang trainen als u

zou willen. Als u ook uw conditie wilt verbeteren, moet u het trainingsprogramma aanpassen. Tijdens de warming-up en cooling-down traint u zoals normaal, maar tegen het eind van de trainingsfase verhoogt u de weerstand zodat uw benen harder moeten werken. Verlaag hierbij de snelheid zodat uw hartslag in de doelzone blijft.

### Gewichtverlies

Hierbij is het van belang hoeveel inspanning u levert. Hoe harder en langer u werkt, hoe meer calorieën u verbrandt. In feite is dit hetzelfde als wanneer u zou trainen om uw conditie te verbeteren. Het doel is alleen anders.

## Hartslag

### Hartslagmeting (handgreepsensoren)

De hartslag wordt gemeten door sensoren in de handgrepen wanneer de gebruiker beide sensoren tegelijkertijd aanraakt. Voor de meest nauwkeurige hartslagmeting moet de huid enigszins vochtig zijn en moet u de handgreepsensoren voortdurend aanraken. Bij een te droge of te vochtige huid kan de hartslagmeting minder nauwkeurig worden.



#### LET OP

- Gebruik de handgreepsensoren niet in combinatie met een hartslagborstband.
- Als u een hartslag-limiet hebt ingesteld voor uw training, klinkt er een alarm wanneer deze wordt overschreden.

### Hartslagmeting (hartslagborstband)

De meest nauwkeurige hartslagmeting wordt bereikt met een hartslagborstband. De hartslag wordt gemeten met een hartslagontvanger in combinatie met een band die de hartslag verzendt. Voor een nauwkeurige hartslagmeting moeten de elektroden op de borstband enigszins vochtig zijn en de huid constant aanraken. Bij te droge of te natte elektroden kan de hartslagmeting minder nauwkeurig worden.



#### WAARSCHUWING

- Als u een pacemaker hebt, moet u het eerst met uw dokter bespreken voordat u een hartslagborstband gebruikt.



#### VOORZICHTIG

- Als er verscheidene hartslagmeetapparaten naast elkaar staan, zorg er dan voor dat de tussenafstand minstens 2 meter is.
- Als er slechts één hartslagontvanger en verscheidene hartslagzenders zijn, zorg dan dat er slechts één persoon met een zender in het zendbereik is.



#### LET OP

- Gebruik de hartslagborstband niet in combinatie met de handgreepsensoren.
- Draag de hartslagborstband altijd onder uw kleding, direct op uw huid. Draag de hartslagborstband niet boven uw kleding. Als u de hartslagborstband boven uw kleding draagt, zal er geen signaal komen.
- Als u een hartslaglimiet hebt ingesteld voor uw training, klinkt er een alarm wanneer deze wordt overschreden.
- De zender verzendt de hartslag naar de console tot over een afstand van 1,5 meter. Als de elektroden niet vochtig zijn, verschijnt de hartslag niet op de display.
- Sommige vezels in kleding (bijv. polyester, polyamide) produceren statische elektriciteit die een nauwkeurige hartslagmeting kan hinderen.
- Mobiele telefoons, televisies en andere elektrische apparaten creëren een elektromagnetisch veld dat een nauwkeurige hartslagmeting kan hinderen.

### Maximale hartslag (tijdens de training)

De maximale hartslag is de hoogste hartslag die iemand veilig kan bereiken door de belasting van de training. De volgende formule wordt gebruikt voor het berekenen van de gemiddelde maximale hartslag:  $220 - \text{LEEFTIJD}$ . De maximale hartslag varieert van persoon tot persoon.



#### WAARSCHUWING

- Zorg ervoor dat u tijdens uw training niet boven uw maximale hartslag komt. Als u bij een risicogroep hoort, moet u een arts raadplegen.

### Beginner 50-60% van de maximale hartslag

Geschikt voor beginners, mensen die willen afvallen, herstellende patiënten en personen die lange tijd niet getraind hebben. Train minstens drie keer per week, 30 minuten per keer.

### Gevorderd 60-70% van de maximale hartslag

Geschikt voor personen die hun conditie willen verbeteren en in stand houden. Train minstens drie keer per week, 30 minuten per keer.

### Expert 70-80% van de maximale hartslag

Geschikt voor de fitste personen die gewend zijn aan langdurige duurtraining.

## Gebruik

### Hoofdschakelaar (Fig. E-2A)

Het toestel is uitgerust met een hoofdschakelaar om het toestel volledig uit te schakelen.

#### Starten van het toestel:

- Plaats de stekker in het toestel.
- Plaats de stekker in het stopcontact.
- Zet de hoofdschakelaar in de aan-stand (ON).

#### Stoppen van het toestel:

- Zet de hoofdschakelaar in de uit-stand (OFF).
- Verwijder de stekker uit het stopcontact.
- Verwijder de stekker uit het toestel.

### Veiligheidssleutel (fig. F-4)

Het toestel is uitgerust met een veiligheidssleutel die juist in de console moet worden geplaatst om het toestel te starten. Als u de veiligheidssleutel uit de console verwijdert, stopt het toestel onmiddellijk.

- Plaats de veiligheidssleutel in de sleuf in de console.
- Zorg ervoor dat de clip van de veiligheidssleutel juist aan uw kleding vastzit. Zorg ervoor dat de clip pas van uw kleding wordt gehaald wanneer de veiligheidssleutel uit de console is verwijderd.

### Circuitonderbreker (FIG. E-2B)

Het toestel is uitgerust met een circuitonderbreker die het circuit onderbreekt wanneer de elektrische belasting boven de maximale capaciteit komt. Wanneer dit gebeurt, moet de circuitonderbreker worden ingedrukt.



#### **WAARSCHUWING**

- Verwijder voor het indrukken van de circuitonderbreker de stekker uit het toestel.

Als het toestel uitschakelt, gaat u als volgt te werk om het toestel opnieuw op te starten:

- Verwijder de stekker uit het toestel.
- Druk de circuitonderbreker in om het toestel opnieuw op te starten.
- Plaats de stekker in het toestel.

Sommige stroomonderbrekers die binnenshuis worden gebruikt, zijn niet berekend op hoge inschakelstroomstoten die kunnen optreden wanneer de loopband voor de eerste keer wordt ingeschakeld of zelfs tijdens normaal gebruik. Als de loopband de stroomonderbreker activeert (zelfs al heeft deze het juiste stroombereik en is de loopband het enige aangesloten apparaat) maar de stroomonderbreker op de loopband zelf niet wordt geactiveerd, moet u de onderbreker vervangen met een type dat is berekend op hoge inschakelstroomstoten. Dit is geen defect dat onder de garantie valt. Dit is een omstandigheid waarop wij als fabrikant geen invloed hebben.

### Uitklappen en inklappen van het toestel (fig. F1-F2)

Het toestel kan worden uitgeklaapt voor gebruik (fig. F1) en ingeklapt voor transport en opslag (fig. F2).

Raadpleeg de illustraties voor de juiste wijze van uitklappen en inklappen van het toestel.



#### **WAARSCHUWING**

- Zorg ervoor dat de hellingsgraad van de loopband op 0% is ingesteld alvorens hem op te vouwen. Zo niet zou schade kunnen ontstaan aan het mechanisme.

## Monitor (fig. E-1)



#### **VOORZICHTIG**

- Houd de console uit de buurt van direct zonlicht.
- Droog het oppervlak van de console wanneer het met zweetdruppels is bedekt.
- Leun niet op de console.
- Raak de display alleen met uw vingertop aan. Raak de display niet aan met uw nagels of een scherp voorwerp.



#### **LET OP**

- De console gaat naar standby wanneer het toestel gedurende 10 minuten niet wordt gebruikt.

## Externe aansluitingen

### USB-poort

De USB-poort kan alleen worden gebruikt om op te laden.

### AUX-poort

Gebruik de AUX-poort voor het aansluiten van een extern media-apparaat en het afspelen van muziek via de ingebouwde luidsprekers.



#### **OPMERKING**

- De console kan alleen worden gebruikt als luidsprekersysteem en niet als mediaspeler. Voor het afspelen van media hebt u een extra apparaat nodig, zoals een smartphone of tablet.
- Bij het gebruik van de luidsprekers in de console kan mogelijk de hartslag weergave worden verstoord/ niet worden gelezen.

## Knoppen

---

### Start

- Met deze knop start u de gekozen workout.
- Herstart een gepauzeerde workout wanneer de trainer in pauze modus is.

### Stop

- De actieve training wordt stopgezet, all parameters worden gereset.

### Pauze

- Hiermee kunt u de workout op elk gewenst moment onderbreken. U ziet de aanduiding "PAU" op het display en uw gegevens worden opgeslagen.

### Incline up

- Hiermee verhoogt u de hellingsgraad (0~15 ± 0,5).
- Als u de knop ingedrukt houdt, wordt de hellingsgraad sneller verhoogd.
- In de programmeringsmodus kunt u waarden wijzigen.

### Incline Down

- Hiermee verlaagt u de hellingsgraad (0~15 ± 0,5).
- Als u de knop ingedrukt houdt, wordt de hellingsgraad sneller verlaagd.
- In de programmeringsmodus kunt u waarden wijzigen.

### Sneltoetsen voor helling.

Sneltoetsen zijn ingesteld op: 3, 5 & 7. Bijvoorbeeld, als u drukt op sneltoets 7 springt de helling meteen op 7.

### Speed Up

- Hiermee verhoogt u de snelheid (0,8~20 km/h ±0,1km/h).
- Als u de knop ingedrukt houdt, wordt de snelheid sneller verhoogd.
- In de programmeringsmodus kunt u waarden wijzigen.

### Speed Down

- Hiermee verlaagt u de snelheid (0,8~20 km/h ±0,1km/h).
- Als u de knop ingedrukt houdt, wordt de snelheid sneller verlaagd.
- In de programmeringsmodus kunt u waarden wijzigen.

### Sneltoetsen voor snelheid.

Sneltoetsen zijn ingesteld op: 6, 8 & 10 km/h. Bijvoorbeeld, als u drukt op sneltoets 8 springt de snelheid meteen op 8 km/h.

## Mode

- Met deze knop selecteert u de doelwaarde programmeringsmodus, namelijk:
 

"Time"	Tijd doelwaarde	30:00
"Distance"	Afstand doelwaarde	1:00
"Calorie"	Kalorie doelwaarde	50.0
"Step"	Stappen doelwaarde	5000.

## Manual

- Selecteer het programma "Manual" (P-1) direct.

## HRC

- Selecteer het programma "HRC" direct.

## Interval

- Selecteer het programma "Interval" (P-2) direct.

## Lose weight

- Selecteer het programma "lose weight" (P-3) direct.

## Walk

- Selecteer het programma "Walk" (P-4) direct.

## Run

- Selecteer het programma "Run" (P-5) direct.

## Uitleg van de items op het display

---

### Speed

- Toont de actuele snelheid van de looptrainer in de workoutmodus.

Weergavebereik: 0.8 ~ 20.0 km/H.

### Pulse

- Wanneer uw hartslag door de console wordt geregistreerd, ziet u na 6 seconden uw huidige hartslag.

Bruikbare borstband (5Khz).

Weergavebereik: 50 ~ 200 bpm.

### Distance (Afstand)

- Toont de gelopen afstand in de workoutmodus.
- Toont de resterende afstand in de aftelmodus. Wanneer u het doel hebt bereikt, ziet u de aanduiding "END".
- Weergavebereik: 0,00~99,99 km. Als de maximale weergaveafstand is bereikt, start de teller opnieuw.



### NOTE

- Deze parameter telt alleen tijdens het lopen / rennen op de loopband. Dit komt door het ingebouwde bewegingsdetectiesysteem.



## Time (Tijd)

- Toont de gelopen tijd in de workoutmodus.
- Toont de resterende tijd in de aftelmodus. Wanneer u het doel hebt bereikt, ziet u de aanduiding "END".
- Weergavebereik: 0:00~18:00 uur.  
Als de maximale weergavetijd is bereikt, start de teller opnieuw.



### OPMERKING

- Als in het venster Time 'OIL' wordt weergegeven, raadpleeg dan het gedeelte Smering in deze handleiding.

## Calorieën

- Toont de verbrande calorieën in de workoutmodus.
- Toont de resterende calorieën in de aftelmodus. Wanneer u het doel hebt bereikt, ziet u de aanduiding "END".
- Weergavebereik: 0,0~999 K.calorieën.  
Als het maximum aantal weer te geven calorieën is bereikt, start de teller opnieuw.



### NOTE

- Deze parameter telt alleen tijdens het lopen / rennen op de loopband. Dit komt door het ingebouwde bewegingsdetectiesysteem.
- Deze gegevens zijn een richtlijn voor de vergelijking van verschillende trainingssessies en kunnen niet voor medische behandelingen worden gebruikt.

## Incline (Helling )

- Toont de actuele helling van de looptrainer in de workoutmodus.  
Weergavebereik: 0,0~15 (stappen)

## Pace (Snelheid)

- Toont hoeveel minuten u moet rennen voor een afstand van 1 km, op basis van de huidige snelheid.



### NOTE

- Deze parameter telt alleen tijdens het lopen / rennen op de loopband. Dit komt door het ingebouwde bewegingsdetectiesysteem.

## Steps (Stappen)

- Toont het aantal gezette stappen.
- Toont de resterende stappen in de aftelmodus. Wanneer u het doel hebt bereikt, ziet u de aanduiding "END".
- Weergavebereik: 0~99999 stappen.  
Als het maximum aantal weer te geven stappen is bereikt, start de teller opnieuw.



### NOTE

- Deze parameter telt alleen tijdens het lopen / rennen op de loopband. Dit komt door het ingebouwde bewegingsdetectiesysteem.

## Matrix

Toont het profiel voor de snelheid en helling voor het geselecteerde programma.

Elk blok voor de snelheid staat gelijk aan 2 km/u.

Elk blok voor de helling staat gelijk aan 2 stappen.

## Programma's

### Snelle start

- Druk op de knop "START" om uw workout te beginnen zonder voorgeprogrammeerde instellingen.
- De loopband begint na 3 seconden aftellen op een minimumsnelheid van 0,8 km/u zonder voorgeprogrammeerde instelling.
- U kunt op elk gewenst moment de snelheid en helling aanpassen tijdens de workout, evenals stoppen en pauzeren.

### Manual (handmatig)

- Druk op de knop "PROGRAMS" om de programmamodus te openen.
- Druk op de knoppen voor "PROGRAMS" om Prog 01 te selecteren of druk op de knop "MANUAL" voor snelle selectie.
- Druk op de knoppen voor "SPEED/ INCLINE" om de gewenste trainingstijd in te stellen. De standaard ingestelde trainingstijd is 30:00 minuten.  
Bereik: 5:00~99:00 min.
- Druk op de knop "START" om de workout te starten, of ...
- Druk op de knop "MODE" om de voorgeprogrammeerde instellingen voor de snelheid en helling te wijzigen voor elk programmasegment.
- Druk op de knoppen voor "SPEED" om de snelheid in te stellen.  
Druk op de knoppen voor "INCLINE" om de helling in te stellen.  
Druk op de knop "MODE" om te bevestigen en naar de volgende fase van het programmaprofiel te gaan.
- Herhaal het bovenstaande om de overige stappen in te stellen (16 stappen in totaal).
- Druk op de knop "START/STOP" om het programma te starten.

**OPMERKING**

- In de workoutmodus kunt u met de knoppen voor "SPEED/ INCLINE" de snelheid en/ of helling aanpassen voor het actieve trainingssegment van het profiel.
- Wanneer de voorgeprogrammeerde trainingstijd is bereikt, ziet u de aanduiding "END" op het display en wordt de workout beëindigd.

## Uw workout beëindigen of onderbreken

- U kunt uw workout op elk gewenst moment pauzeren door eenmaal op de knop "PAUSE" te drukken.
- Druk op de knop "START" om de pauzmodus uit te schakelen en de training te hervatten.
- Druk op de knop "STOP" om de workout te beëindigen en de console te resetten.

## Voorgeprogrammeerde programma's (P02~P12)

Het apparaat bevat 12 voorgeprogrammeerde programma's met verschillende profielen (afbeelding G).

- Druk op de knop "PROGRAM" om de programmamodus te openen en houd de knop ingedrukt om een van de programma's P 02~P 12 te selecteren.
- Druk op de knoppen voor "MODE" om uw trainingsdoel te selecteren:  
Tijd: Standaard 30:00  
Afstand: Standaard 1,00  
Calorieën: Standaard 50,0  
Stappen: Standaard 5000  
Druk op de knoppen voor "SPEED/ INCLINE" om het gewenste trainingsdoel in te stellen.  
Druk op de knop "START" om uw workout te starten.

## Body Fat

Met het programma Body Fat wordt uw fysieke conditie aangegeven, op basis van uw lichaamskenmerken en hartslag.

- Druk op "PROGRAMS" en houd de knop "PROGRAM" ingedrukt om de programmamodus "FAT" (lichaamsvet) te selecteren.
- Druk op de knop "MODE" om uw keuze te bevestigen en de programmamodus te openen.

- Op het display ziet u de aanduiding "F-1":  
Geslacht: 01=Man/02=Vrouw  
Druk op de knoppen voor "SPEED/ INCLINE" om uw geslacht in te stellen en druk vervolgens op de knop "MODE/ ENTER" om uw keuze te bevestigen.
- Op het display ziet u de aanduiding "F-2":  
Leeftijd: 10~99 jaar  
Druk op de knoppen voor "SPEED/ INCLINE" om uw leeftijd in te stellen en druk vervolgens op de knop "MODE" om uw keuze te bevestigen.
- Op het display ziet u de aanduiding "F-3":  
Lengte: 100~200 cm  
Druk op de knoppen voor "SPEED/ INCLINE" om uw lengte in te stellen en druk vervolgens op de knop "MODE" om uw keuze te bevestigen.
- Op het display ziet u de aanduiding "F-4":  
Gewicht: 20~150 kg.  
Druk op de knoppen voor "SPEED/ INCLINE" om uw gewicht in te stellen en druk vervolgens op de knop "MODE" om uw keuze te bevestigen.
- Op het display ziet u de aanduiding "F-5":  
Neem beide handsensoren vast om het meetproces te starten.  
Op het display ziet u "- - - -" in de actieve modus.

**LET OP**

- Voor deze functie moet u de hartslagmetingspads in de handgrepen vasthouden.

## Resultaat Body Fat-test

<20	Te mager
20-25	Normaal
26-29	Enig overgewicht
>29	Te dik

## HRC-programma

- Druk herhaaldelijk op de knop "MODE" tot u HRC ziet in het venster "DISTANCE".
- Houd de knop "MODE" 3 seconden lang ingedrukt om uw leeftijd te kunnen selecteren (standaard = 30).  
Gebruik de knoppen voor "SPEED/ INCLINE" om uw leeftijd te selecteren en druk vervolgens op de knop "MODE" om uw keuze te bevestigen.
- Op de console ziet u het aanbevolen HR-doel op basis van uw leeftijd. U kunt deze waarde aanpassen met de knoppen voor "SPEED/ INCLINE". Druk vervolgens op de knop "MODE" om uw keuze te bevestigen.

- Op de console ziet u de maximale snelheid. U kunt deze waarde aanpassen met de knoppen voor "SPEED/ INCLINE". Druk vervolgens op de knop "MODE" om uw keuze te bevestigen.



### OPMERKING

- Tijdens deze geprogrammeerde workout wordt de vooraf ingestelde maximale snelheid niet overschreden door de loopband.
- Op de console ziet u de trainingstijd (standaard = 10:00). Gebruik de knoppen voor "SPEED/ INCLINE" om de tijd aan te passen en druk vervolgens op de knop "MODE" om uw keuze te bevestigen.
- Druk op de knop "START" om uw workout te starten.

### Voortgang van het programma

De oefening begint op een snelheid van 3 km/u en uw hartslag wordt elke 20 seconden gemeten.

- Als de gedetecteerde hartslag minder is dan 90% van de doelhartslag, wordt de snelheid verhoogd met 1 km/u.
- Als de gedetecteerde hartslag minder is dan 95% van de doelhartslag, wordt de snelheid verhoogd met 0,5 km/u.
- Als de gedetecteerde hartslag minder is dan 97% van de doelhartslag, wordt de snelheid verhoogd met 0,3 km/u.
- Als de gedetecteerde hartslag tussen 97% en 103% van de doelhartslag ligt, verandert de snelheid niet.
- Als de gedetecteerde hartslag meer is dan 110% van de doelhartslag, wordt de snelheid verlaagd met 1,0 km/u.
- Als de gedetecteerde hartslag meer is dan 105% van de doelhartslag, wordt de snelheid verlaagd met 0,5 km/u.
- Als de gedetecteerde hartslag meer is dan 103% van de doelhartslag, wordt de snelheid verlaagd met 0,3 km/u.
- Als de gedetecteerde hartslag tussen 97% en 103% van de doelhartslag ligt, verandert de snelheid niet.
- Als de maximale snelheid is bereikt terwijl de hartslag meer dan 103% of minder dan 97% van de doelhartslag bedraagt, wordt de helling met 1 stap verhoogd of verlaagd tot de hartslag tussen 97% en 103% van de doelhartslag ligt.
- Als er langer dan 30 seconden geen hartslagsignaal is ontvangen, ziet u de melding "NO HR". Als er na 20 seconden nog steeds geen signaal is ontvangen, stopt de loopband.



### OPMERKING

- Na het voltooiën van de HRC-workout worden alle voorgeprogrammeerde waarden voor het HRC-programma hersteld naar de standaardwaarden.

## Bluetooth & APP

- U kunt deze console via Bluetooth verbinden met een App op uw smart-apparaat. (iOS & Android)
- Breng de Bluetooth-verbinding alleen tot stand via de verbindingsmodus op de geïnstalleerde APP op uw smart-apparaat.



### LET OP

- Tunturi biedt uitsluitend de mogelijkheid om uw fitnessconsole via een bluetooth-verbinding aan een smart-apparaat te koppelen. Tunturi kan daarom niet aansprakelijk worden gesteld voor schade of gebreken aan producten die niet door Tunturi worden geproduceerd.
- Raadpleeg de website voor extra informatie.

## Garantie

### Garantie voor eigenaars van Tunturi trainingsapparatuur

#### Garantievoorwaarden

De consument ontleent wettelijke rechten aan de van toepassing zijnde nationale wetgeving aangaande de handel in consumentengoederen en de garantie zal deze rechten niet beperken.

De "Garantie voor de Eigenaar" geldt alleen dan wanneer het toestel wordt gebruikt in de door Tunturi New Fitness BV voor dat toestel toegestane gebruiksomgeving. Voor elk toestel wordt de toegestane gebruiksomgeving beschreven in de gebruiksaanwijzing van het toestel.

#### Garantievoorwaarden

De garantievoorwaarden gaan in vanaf de datum van aankoop. Deze kunnen per land verschillen. Vraag in de winkel bij u in de buurt naar de garantievoorwaarden.

#### Garantiedekking

In geen enkele omstandigheid zal Tunturi New Fitness BV of een wederverkoper van Tunturi aansprakelijk zijn voor eventuele indirecte schade geleden door de koper, zoals verlies van gebruiksnuut of inkomstenderving of andere indirecte economische gevolgen.

#### Garantiebeperkingen

De garantie dekt defecten van het toestel die het gevolg zijn van materiaalfouten of onjuist uitgevoerd werk, mits het toestel zijn originele samenstelling heeft. De garantie betreft alleen defecten die blijken tijdens normaal gebruik overeenkomstig de meegeleverde gebruiksaanwijzing, mits de montage-, onderhouds- en gebruiksaanwijzingen van Tunturi zijn opgevolgd.

Tunturi New Fitness BV en zijn wederverkopers zijn niet aansprakelijk voor defecten tengevolge van factoren waarop zij geen invloed kunnen uitoefenen. De garantie betreft alleen de eerste eigenaar van het toestel en is alleen geldig in landen waar een geautoriseerde importeur van Tunturi New Fitness BV is gevestigd. De garantie betreft geen trainingstoestellen of onderdelen die zijn gewijzigd zonder toestemming van Tunturi New Fitness BV. De garantie dekt geen defecten tengevolge van normale slijtage, onjuist gebruik, gebruik in omstandigheden waarvoor het toestel niet is bedoeld, corrosie of schade ontstaan tijdens laden of transport.

De garantie geldt niet voor geluiden die ontstaan door het gebruik, als ze het gebruik van het apparaat niet wezenlijk belemmeren en niet veroorzaakt zijn door een defect aan het apparaat.

De garantie omvat ook geen onderhoudsmaatregelen, zoals reiniging, smering of normale inspectie van onderdelen, noch dergelijke montagewerkzaamheden die de klant zelf kan uitvoeren en die geen speciale demontage en montage van het toestel vereisen. Dit soort maatregelen zijn bijv. vervanging van monitoren, pedalen of andere vergelijkbare eenvoudige onderdelen. Garantieherstel dat is uitgevoerd door een ander dan de geautoriseerde Tunturi-vertegenwoordiger wordt niet vergoed. De garantie geldt alleen voor normaal, voorgeschreven gebruik van het product zoals beschreven in de handleiding.

## Reiniging en onderhoud



### WAARSCHUWING

- Verwijder voor reiniging of onderhoud de stekker uit het stopcontact.
  - Gebruik geen oplosmiddelen om het toestel te reinigen.
- Blokkeer de ventilatieopeningen niet. Houd de ventilatieopeningen vrij van stof, vuil en andere belemmeringen.
  - Reinig het toestel na elk gebruik met een zachte absorberende doek.
  - Reinig de zichtbare onderdelen van het toestel met een stofzuiger met een kleine zuigmond.
  - Controleer regelmatig of alle schroeven en moeren goed vast zitten.

### Smeren (fig. F-4)

De riem van de looptrainer moet regelmatig op smering worden gecontroleerd. Na elke 300 uur wordt een herinnering weergegeven. In het venster TIME wordt 'OIL' weergegeven en elke 10 seconden klinkt

een akoestisch signaal om u te herinneren aan de controle. Volg de onderstaande controleprocedure en schakel de melding 'OIL' en het akoestische waarschuwingssignaal uit door tijdens het signaal de knop STOP ten minste 3 seconden ingedrukt te houden.



### VOORZICHTIG

- We raden aan de smering van de loopmat minimaal één keer per maand te controleren, omdat meer factoren dan alleen de tijd van invloed kunnen zijn voor de smeringconditie van uw loopmat.
- Smeer de loopmat alleen indien nodig. Als u te veel smeervet aanbrengt, zal de loopmat door te weinig wrijving snel gaan slippen.



### WAARSCHUWING

- Verwijder voor het smeren de stekker uit het stopcontact.
- Neem een stevige positie op de loopmat aan.
  - Houd de voorhandgreep vast en duw de loopmat met uw voeten vooruit en achteruit. De loopmat moet soepel en gelijkmatig lopen zonder geluid te maken.
  - Als de loopmat niet soepel en gelijkmatig loopt of als de loopmat helemaal niet beweegt, raak dan met uw vingertoppen de onderkant van de loopmat aan om de smering te controleren:
    - Als u smeermiddel voelt of als uw vingertoppen glimmen, dan bevindt zich nog voldoende smering op de loopmat.
    - Als u geen smeervet voelt of als uw vingertoppen stoffig of ruw aanvoelen, breng dan smeermiddel (15-20 ml) aan in het midden van de loopmat onder de band zelf en laat het toestel minstens 5 minuten bij 5 km/h lopen.
    - Klap het toestel na smering niet in voordat het minstens 20 minuten gebruikt is voor een training met een snelheid van minstens 5 km/h. Het smeermiddel wordt gelijkmatig over de loopmat verdeeld.

## Band en loopvlak

De loopband maakt gebruik van een zeer efficiënt loopvlak met lage wrijving. De prestaties worden gemaximaliseerd wanneer het loopvlak zo schoon mogelijk wordt gehouden. Gebruik een zachte, vochtige doek of keukenpapier om de rand van de band te reinigen en het gedeelte tussen de bandrand en het frame. Probeer ook zo ver mogelijk onder de bandrand te reinigen. Dit moet u eenmaal per maand doen om de levensduur van de band en het loopvlak te verlengen. Gebruik alleen water, geen reinigingsmiddel of schurend middel. Gebruik een oplossing van milde zeep en water en een nylon borstel om de bovenkant van de band met structuur te reinigen. Laat de band drogen voordat u deze gebruikt.

## Stof op band

Dit treedt op tijdens normaal eerst gebruik of totdat de band is gestabiliseerd. Verwijder het stof met een vochtige doek om ophoping van stof te minimaliseren.

## Algemene reiniging

Vuil, stof en dierenharen kunnen luchtinlaten blokkeren en zich op de band ophopen. U moet maandelijks onder de loopband stofzuigen om ophoping te voorkomen. U moet tweemaal per jaar de zwarte motorkap verwijderen en eventueel opgehoopt vuil met de stofzuiger verwijderen.

**HAAL EERST DE STEKKER UIT HET STOPCONTACT VOORDAT U DIT DOET.**

## Bandafstellingen

U moet afstellingen doorvoeren bij de achterste roller. De afstelbouten bevinden zich aan het einde van de staprails in de eindkapjes,

- Draai de achterste rollerbouten net genoeg aan (rechtsonder) om verschuiving bij de voorste roller te voorkomen. Draai beide afstelbouten voor de bandspanning aan in stappen van 1/4 slag en controleer op juiste spanning door op de band te lopen met lage snelheid. Zorg dat de band niet verschuift. Blijf de bouten aandraaien totdat de band niet meer verschuift.
- Als u van mening bent dat de bandspanning goed is maar de band nog steeds verschuift, wordt het probleem mogelijk veroorzaakt door een losse motoraandrijfriem onder de voorkap.
- Niet te strak aandraaien Als u de bouten te strak aandraait, raakt de band beschadigt en zullen de lagers vroegtijdig slijten.

## Bandloop afstellen

De prestaties van het apparaat zijn afhankelijk van het feit of het frame op een redelijk vlak oppervlak staat. Als het frame niet waterpas staat, kunnen de voor- en achterrollers niet parallel draaien, waardoor de band constant opnieuw moet worden afgesteld.

Het apparaat is zo ontworpen dat de band tijdens gebruik zoveel mogelijk in het midden blijft. Het is bij sommige banden normaal dat deze naar de zijkant bewegen terwijl de band loopt zonder dat er iemand op staat. Na enkele minuten van gebruik zal de band de neiging hebben zich te centreren. Als tijdens gebruik de band nog steeds naar de zijkant beweegt, is afstelling noodzakelijk.

### **UITZONDERING.**

tijdens revalidatie, waarbij het ene been van de gebruiker sterker is dan het andere, kan het voorkomen dat de band naar de zijkant beweegt. In dat geval moet u de bandloop niet opnieuw afstellen, tenzij de band zich bij normaal gebruik niet centreert.

## Bandloop instellen:(fig. F-5)

Het apparaat wordt geleverd met een inbussleutel om de achterste roller af te stellen. Voer afstellingen uitsluitend aan vanaf de linkerkant. Stel de bandsnelheid in op circa 3 tot 5 km/u.

Houd er rekening mee dat een kleine verandering een groot verschil kan maken!

Draai de bout rechtsonder om de band naar rechts te verplaatsen; draai de bout linksom om de band naar links te verplaatsen. Draai de bout slechts 1/4 slag en wacht enkele minuten terwijl de band zichzelf afstelt. Blijft de bout draaien in stappen van 1/4 slag totdat de band zich stabiliseert in het midden van het loopvlak.

De bandloop moet mogelijk periodiek opnieuw worden afgesteld, afhankelijk van gebruik en loop-/renkarakteristieken. Sommige gebruikers zullen een ander effect hebben op de bandloop. Ga ervan uit dat u afstellingen zult moeten doorvoeren om de band te centreren. Afstellingen zullen steeds minder een onderhoudsprobleem worden naarmate de band meer wordt gebruikt. Juiste bandloop is de verantwoordelijkheid van de eigenaar en is van toepassing op alle loopbanden.



### **LET OP**

- Schade aan de band als gevolg van onjuiste afstelling van bandloop/bandspanning valt niet onder de garantie.

## Gebruiksstorings

Ondanks voortdurende kwaliteitscontroles, kunnen er defecten of storings optreden die het gevolg zijn van het niet goed functioneren van onderdelen die in de looptrainer zijn gebruikt. In de meeste gevallen is het onnodig om het gehele apparaat ter reparatie aan te bieden, aangezien de storing meestal kan worden opgelost door het vervangen van het defecte onderdeel.

Mochten er storings optreden bij het gebruik van de trainer, neem dan onmiddellijk contact op met uw Tunturi dealer. Vermeldt daarbij altijd het model en het serienummer van uw Tunturi trainer, de eventuele storingscode en door wie de trainer is geïnstalleerd.

Vermeldt bij het bestellen van onderdelen het model, het serienummer van het apparaat en het nummer van het onderdeel. Op de laatste pagina's van deze gids vindt u de onderdelenlijst.

## Foutcodes

Als de display een foutcode toont (aangegeven met "E"/ "DC" + nummer), start dan het toestel opnieuw op en controleer of de foutcode nog steeds op de display verschijnt. Als de display nog steeds de foutcode toont, neem dan onmiddellijk contact op met de dealer.

## Transport en opslag



### WAARSCHUWING

- Verwijder voor reiniging of onderhoud de stekker uit het stopcontact.
- Draag en verplaats het toestel met minstens twee personen.
- Zorg ervoor dat zich geen andere personen of voorwerpen onder het toestel bevinden.
- Zorg er bij het inklappen van het toestel voor dat u hoort dat het toestel op zijn plaats vergrendelt ter voorkoming dat het toestel omlaag komt.



### VOORZICHTIG

- Zorg er voor het inklappen van het toestel voor dat de helling van het toestel 0% is. Als de helling niet 0% is, wordt het mechanisme door het inklappen beschadigd.
- Verplaats het toestel zoals afgebeeld (fig. F3). Verplaats het toestel en zet het voorzichtig neer. Zorg voor een beschermende laag onder het toestel om schade aan het vloeroppervlak te voorkomen. Verplaats het toestel voorzichtig over een ongelijke ondergrond. Breng het toestel niet met behulp van de wielen naar boven, maar draag het toestel bij de handgrepen.
- Berg het toestel in staande positie op (fig. F1). Berg het toestel op een droge plaats op met zo weinig mogelijk temperatuurwisselingen.

## Aanvullende informatie

### Afvoeren van verpakkingsmateriaal

Overheids-richtlijnen geven aan dat we de hoeveelheid afvalmateriaal afgevoerd naar stortplaatsen moeten verminderen. Daarom vragen we u al het afvalmateriaal op verantwoordelijke wijze af te voeren naar openbare recycling-centra.

### Verrwijdering aan het eind van de levensduur.

We hopen dat u jarenlang plezier hebt van uw fitnessapparaat. Er komt echter een moment waarop het fitnessapparaat het eind van de bruikbare levensduur heeft bereikt. Onder de Europese AEEA-wetgeving bent u verantwoordelijk voor het op de

juiste wijze afvoeren van uw fitnessapparaat naar een erkend openbaar inzamelpunt.

## Technische gegevens

Parameter	Meeteenheid	Waarde
Netspanning	VAC	220~240
Netfrequentie	Hz	50-60
Motor	PK	3.5
Snelheid	km/h	0.8~20
Helling	Stappen	0~20
Telemetrische hartslagontvanger	Frequenty	5.0 Khz
Lengte	cm	180
Breedte	cm	89
Hoogte	cm	151
Gewicht	kg	90
Max. gewicht gebruiker	kg	130

## Verklaring van de fabrikant

Tunturi New Fitness BV verklaart dat het product voldoet aan de volgende normen en richtlijnen: EN 957 (HA), 89/336/EEG. Het product is derhalve voorzien van het CE-label.

12-2018

Tunturi New Fitness BV  
Purmerweg 1  
1311 XE Almere  
The Netherlands

## Disclaimer

© 2018 Tunturi New Fitness BV  
Alle rechten voorbehouden.

Het product en de handleiding zijn aan veranderingen onderhevig. Specificaties kunnen zonder verdere kennisgeving worden veranderd.

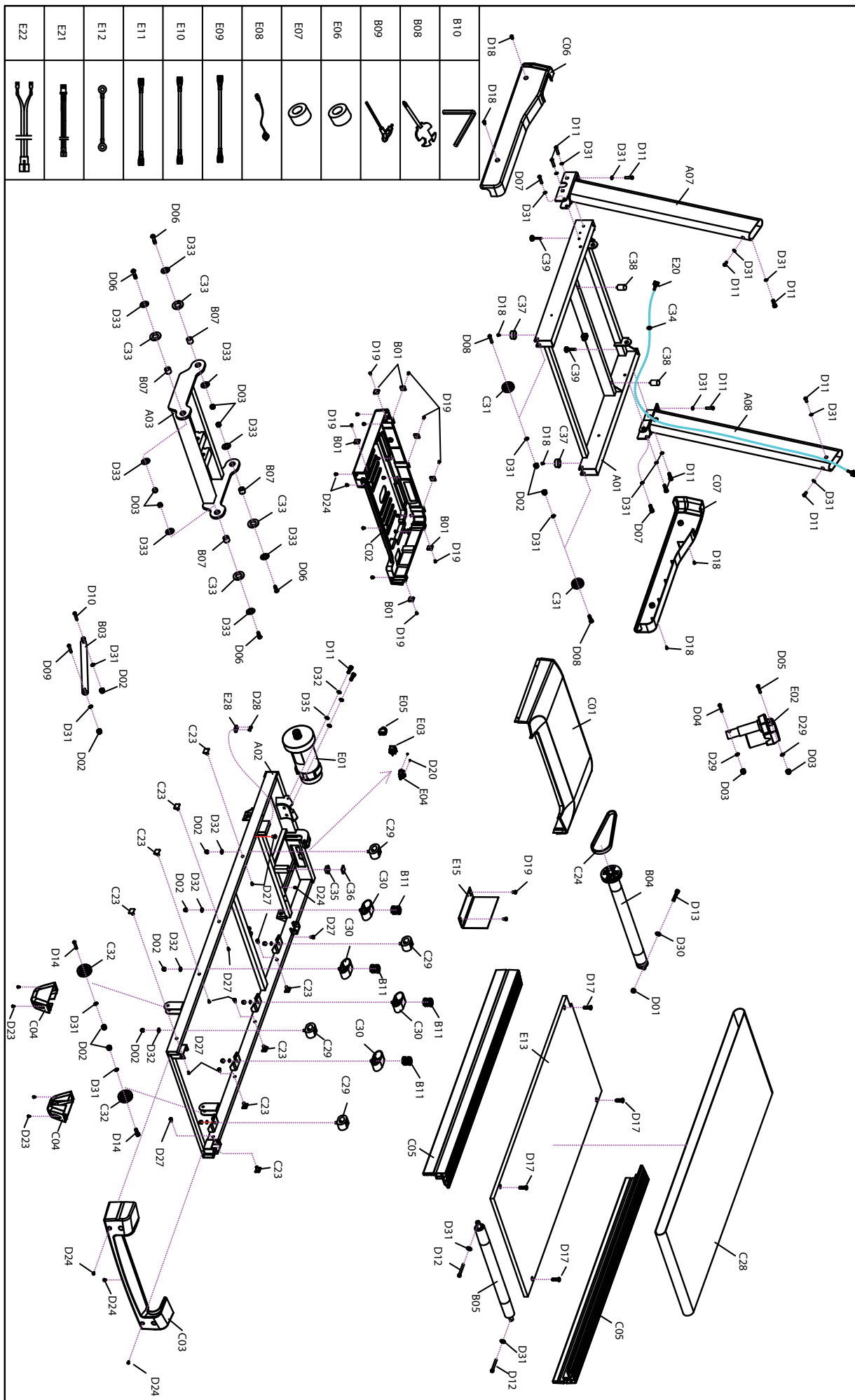
Buble	Description	Qty	
No.	Description	Specs	QTY
A01	Bottom frame		1
A02	Main frame		1
A03	Incline frame		1
A04	Display frame		1
A05	Handlebar frame		1
A06	Display support frame		1
A07	Left column		1
A08	Right column		1
B01	Motor cover fixation board		7
B02	Handle pulse sheet		4
B03	Air cylinder		1
B04	Front roller		1
B05	Rear roller		1
B06	Shrapnel		2
B07	Sleeve		4
B08	Cross solid wrench		1
B09	Inner hex wrench		1
B10	#5 Allen wrench		1
B11	Pressing spring		4
C01	Motor top cover		1
C02	Motor bottom cover		1
C03	Rear cover		1
C04	Adjustable wheel Ocover		2
C05	Side rail		2
C06	Left bottom cover		1
C07	Right bottom cover		1
C08	Display frame top cover		1
C09	Display frame bottom cover		1
C10	Display frame rear cover		1
C11	Small bottom cover		1
C12	Left foam handlebar		1
C13	Right foam handlebar		1
C14	Front panel		1
C15	Bottom panel		1
C16	Front panel support		1
C17	Bottom panel support		1
C18	Front key board (Incl. overlay)		1
C19	Bottom key board		1

Buble	Description	Qty	
C20	Safety key seat	1	
C21	Safety key (Compl Assy)	1	
C22	Handle pulse seat (Compl Assy)	2	
C23	Side rail fixation seat	8	
C24	Motor belt	1	
C25	Display acrylic	1	
C26	Front handlebar foam	2	
C27	Audio module locking cap	2	
C28	Running belt	1	
C29	Cushion pad	4	
C30	Elliptical cushion pad	4	
C31	Transportation wheel	2	
C32	Adjustable wheel	2	
C33	Plastic washer	4	
C34	Annular plug	2	
C35	Square end cap	1	
C36	EVA pad	1	
C37	Plain foot pad	2	
C38	Cylinder cushion pad	2	
C39	Adjustable foot pad	2	
C40	Safety key jack	1	
C41	Safety key clip	1	
C42	Silicon pad	1	
D01	Nonmetal hex lock	M6	1
D02	Nonmetal hex lock	M8	14
D03	Nonmetal hex lock	M10	6
D04	Bolt	M10*90	1
D05	Bolt	M10*45	1
D06	Bolt	M10*30	4
D07	Bolt	M8*55	2
D08	Bolt	M8*50	2
D09	Bolt	M8*45	1
D10	Bolt	M8*25	2
D11	Bolt	M8*15	15
D12	Bolt	M8*65	2
D13	Bolt	M6*60	1
D14	Bolt	M8*40	4
D15	Bolt	M8*15	4
D16	Bolt	M6*15	4
D17	Bolt	M8*25	4

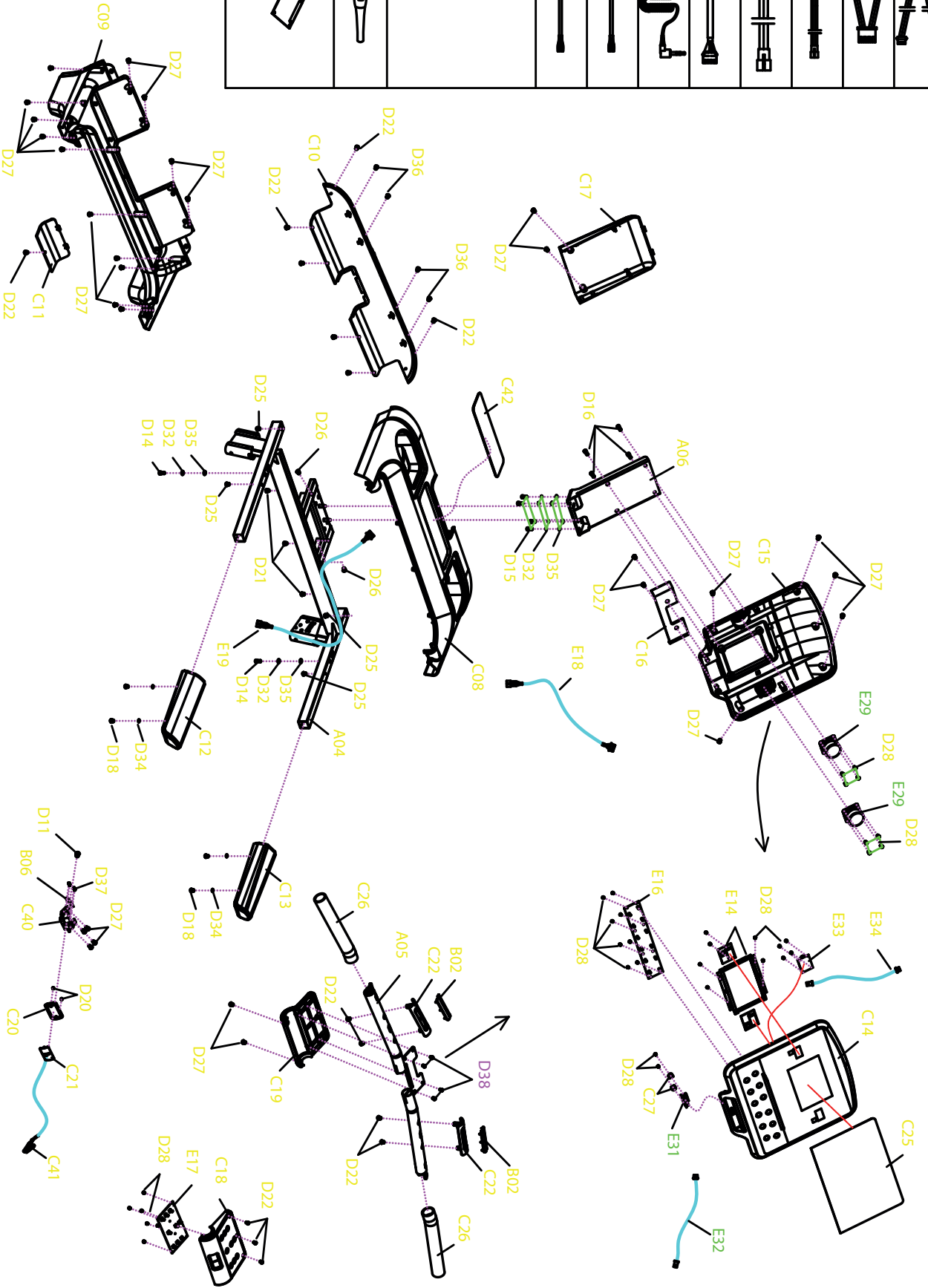
Buble	Description		Qty
D18	Bolt	M5*16	10
D19	Bolt	M5*12	9
D20	Screw	8mm	4
D21	Screw	60mm	3
D22	Screw	12mm	18
D23	Screw	20mm	4
D24	Screw	12mm	15
D25	Screw	30mm	2
D26	Screw	25mm	2
D27	Screw	12mm	48
D28	Screw	8mm	43
D29	Lock washer	M10	2
D30	Lock washer	M6	1
D31	Lock washer	M8	20
D32	Spring washer	M8	16
D33	Big washer	Ø10*Ø26*2.0	8
D34	Big flat washer	Ø6*Ø12*1.0	4
D35	Flat washer	M8	8
D36	Screw	19mm	4
D37	Screw	6mm	4
D38	Screw	8mm	4
E01	DC motor		1
E02	Incline motor		1
E03	Square switch		1
E04	Power outlet		1
E05	Overload protector		1
E06	Magnet ring		1
E07	Magnet core		1
E08	Power cable		1
E09	AC wire	Length 200 brown	1
E10	AC wire	Length 350 brown	2
E11	AC wire	Length 350 blue	2
E12	Earthed wire	Yellow and green	1
E13	Running board		1
E14	Display		1
E15	Control board		1
E16	Keyboard plate		1
E17	Front keyboard plate		1
E18	Display upper wire		1
E19	Display middle wire		1
E20	Display bottom wire		1
E21	Pulse upper wire		1

E22	Pulse bottom wire		2
E23	Control panel upper wire		1
E24	Control panel bottom wire		1
E25	Safety key upper wire		1
E26	Safety key bottom wire		1
E27	Audio signal input wire		1
E28	Magnet sensor		1
E29	Speaker		2
E30	Mp3 connection wire		1
E31	USB module		1
E32	USB power wire		1
E33	Power amplifier		1
E34	Amplifier power wire		1
F01	Filter		1
F02	Inductor		1
F03	AC wire	Length 350 blue	1
F04	Earthed wire	Yellow and green 350mm	1
F05	Screw	12mm	4
J01	Wireless heart rate receiver		1
J02	Heart rate belt		1
J03	HRC connection wire		1
HK	Hardware kit		
	User interface complete		





E23	
E24	
E25	
E26	
E27	
E30	
F04	
F03	
F05	
F02	
F01	
J02	
J01	
J03	







## **Tunturi New Fitness BV**

Purmerweg 1 NL - 1311 XE Almere  
P.O. Box 60001 NL - 1320 AA Almere  
The Netherlands

[www.tunturi.com](http://www.tunturi.com)  
[info@tunturi.com](mailto:info@tunturi.com)

